

Tristand

Size without feet (W x D x H): 328 x 328 x 678 mm

Size with feet (W x D x H): 328 x 328 x 700 mm

Top plate surface (W x D): 150 x 142 mm

Weight per Tristand: 5 kg

Maximum load per Tristand: 20 kg

Before assembly please make sure all parts are included.

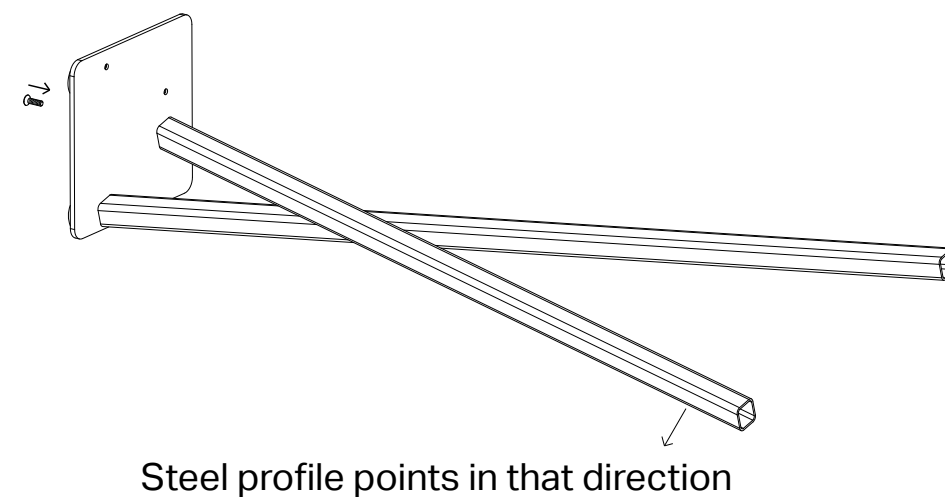
Step 1

As shown in the picture below, take the top plate and one of the two steel profiles marked with no. 1 and attach them together. Screw the top plate and steel profile together (using a M4x14 screw and the included allen key), but do not tighten the screw completely yet.



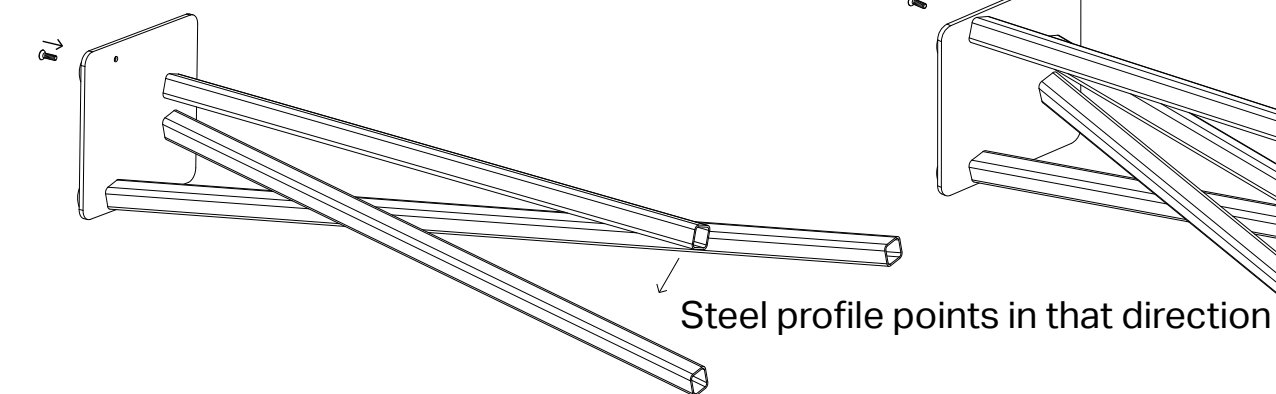
Step 2

Take another steel profile now with mark no.2, and attach it in the opposite direction to the previous one into the hole above the first steel profile (as shown in the picture below). Don't tighten the screws completely.



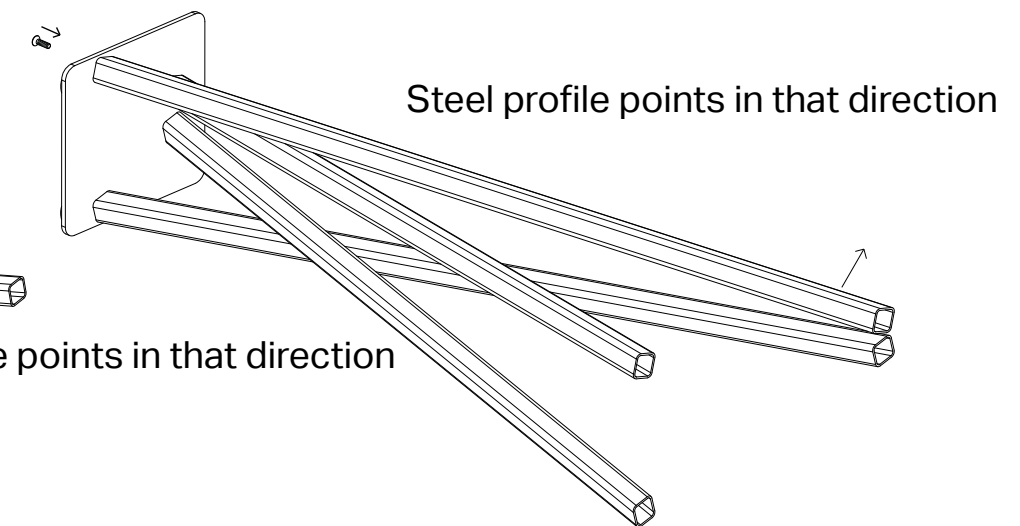
Step 3

Repeat step 2 with another steel profile.



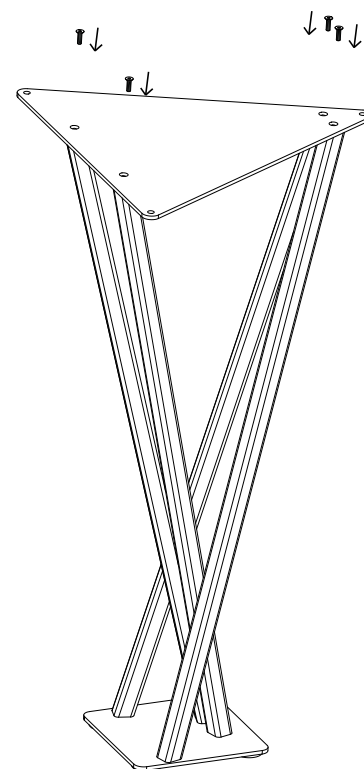
Step 4

Repeat step 1 with another steel profile marked no. 1 in the same direction as in step 1.



Step 5

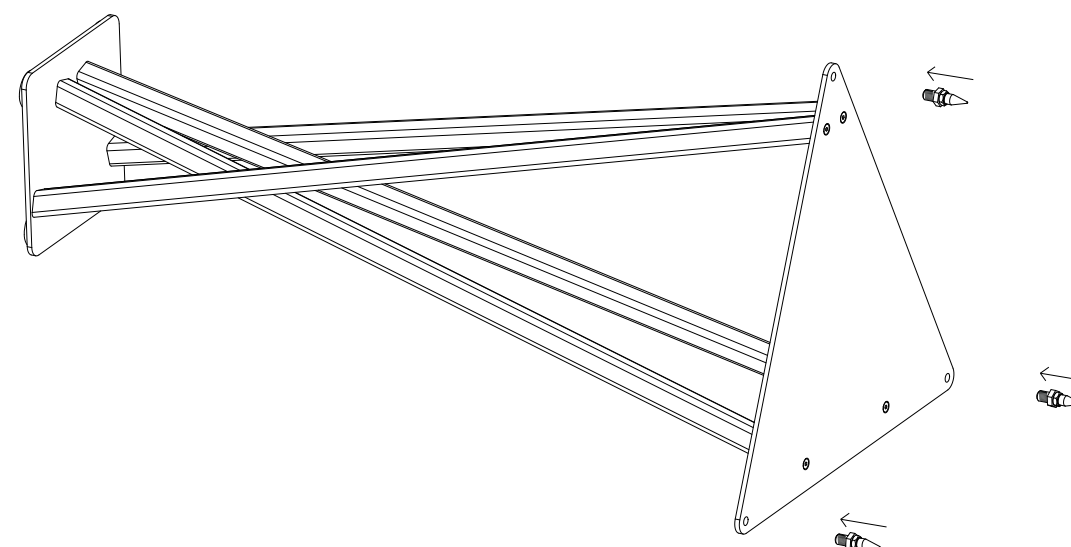
Take the base plate and put it on the steel profiles from the other side. Align the threads with the holes in the base and screw them together. At first don't tighten the screws completely. Once you have all screws in the threads, tighten them. Afterwards, also tighten the screws on the top plate (steps 1 – 4).



Step 6

Screw the nuts onto the spike feet.

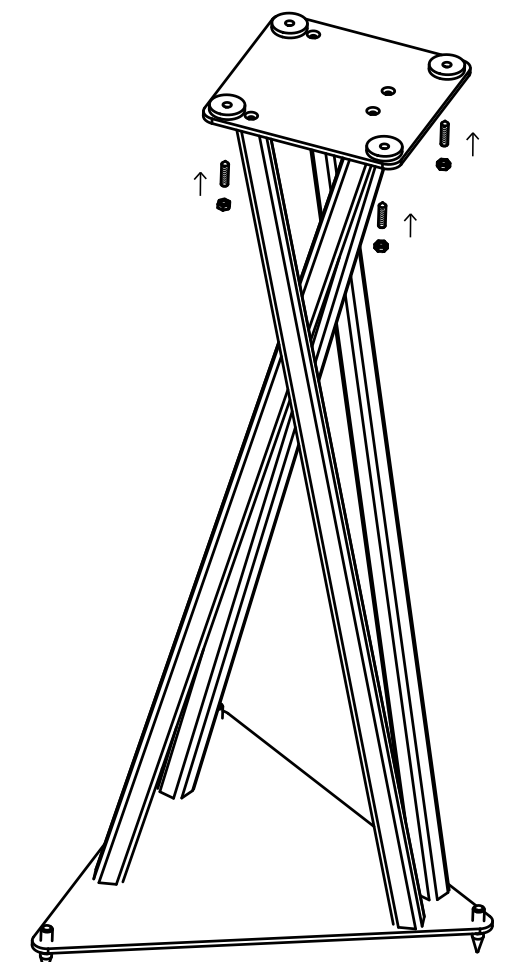
Then screw the feet into the base. Carefully lift the assembled Tristand up, place it on the ground and put the cups under the spike feet. You can now tighten or loosen the spike feet to ensure the base is level (use a spirit level if necessary).



Step 7

Now you are ready to place the speaker on the Tristand. You have two options on how to do that.

- 1) Directly place the speaker onto the microporous rubber pads on top plate.
- 2) Screw the M5x20 spikes into the threads located in the middle of the microporous rubber pads. Adjust the height until the speaker has a proper stand and lock the screw with a nut from the bottom.



• 2x steel profiles (marked no. 1)

• 2x steel profiles (marked no. 2)

- 4x M4x14 allen screws
- 1x 2,5mm allen key
- 3x M8 nuts
- 3x spike feet
- 3x cups for spike feet
- 4x M5x20 spikes
- 4x M5 nuts