



INSTRUCTIONS FOR USE

# Pro-Ject SIGNATURE

# Pro-Ject SIGNATURE

Your contribution to environmental protection

Disposal of packaging material:

The packaging protects the device against damage during transport. Packaging materials have been selected with environmental aspects and possibilities of their liquidation and they are recyclable.

Disposal of old device:

Old devices must be collected separately in order to optimise the recovery and recycling of the materials they contain and reduce the impact on human health and the environment. Consumers should contact their local authority or retailer for information concerning the correct disposal of their old device.

## Controls, features and connections

1. Platter
2. Platter shaft
3. Drive pulley
4. Drive belt
5. Idler pulley shaft
6. Idler pulley
7. Platter belt
8. Transport screws
9. Adjustable feet
10. Tonearm
11. Azimuth set screw
12. VTA locking screw
13. VTA set screw
14. Mounting distance adjusting screw
15. Locking screw for mounting distance adjusting
16. Power supply
17. Control panel
18. ON/OFF switch

The device is transported in a partially disassembled to prevent damage sensitive parts.

Check the packaging and the device immediately if they were not damaged during transport.

Damaged devices not operate.

Compare the data for electrical connection on the plate with the data network.

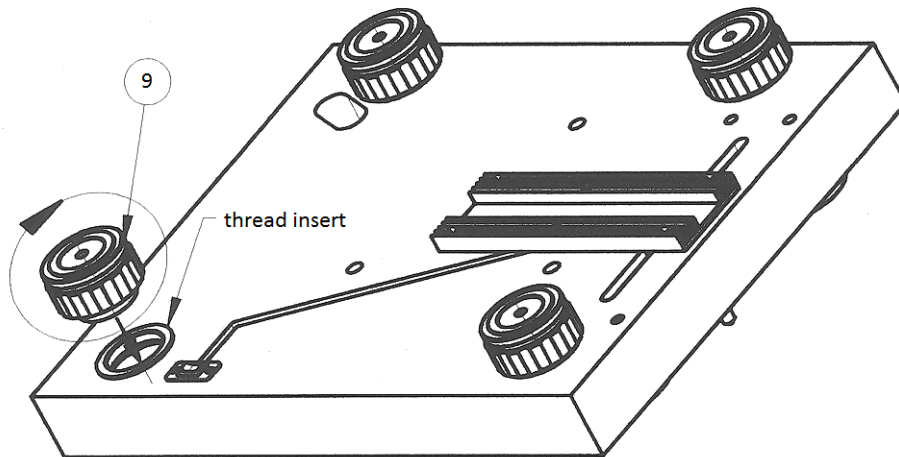
These data must match in order to avoid damage of the turntable.

# Set-up

Read thoroughly the manual and follow all instructions after unpacking the turntable. Make the turntable assembly of distributed components in the package.

## 1. Installation of adjustable feet (9)

The feet are disassembled for transport and stored in the package of platter. Screw the feet into the thread inserts of the turntable plinth.

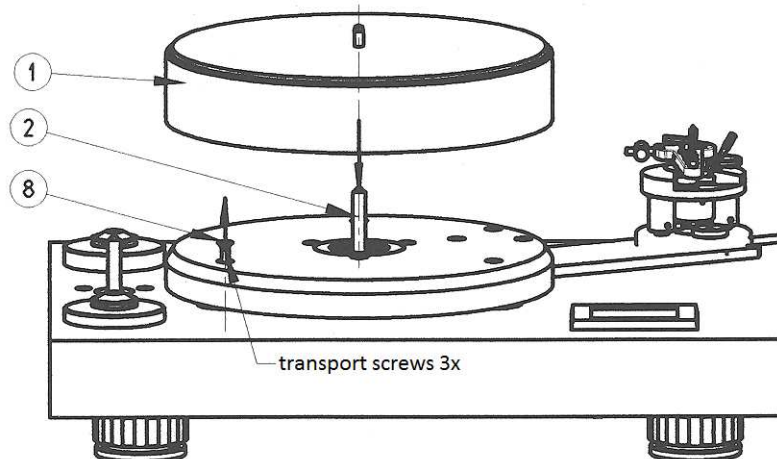


## 2. Platter assembly

Before platter (1) assembly, unscrew three transport screws. Remove protective covers from shaft and platter bearing. Check for adequate lubrication of the shaft (2). If necessary, lubricate with grease in the attached accessories.

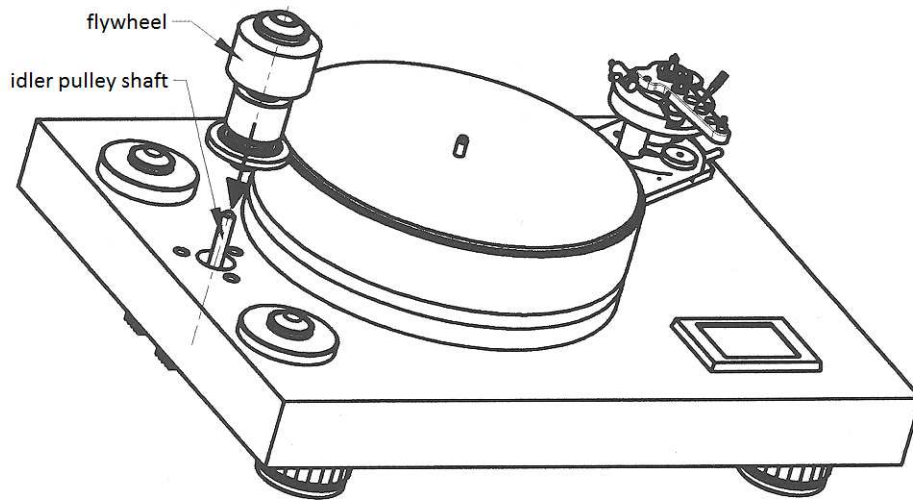
### WARNING:

The platter is floating on magnets. When putting on the shaft, take care not to damage the magnet.



### 3. Idler pulley assembly

Idler pulley consists of two parts. One is powered by the motor units and one is floated on the magnetic cushion. Both parts form a whole stored on a common shaft. Before installing this kit remove the covers from the shaft and bearing. Check for adequate lubrication. If necessary, lubricate with grease in the attached accessories.

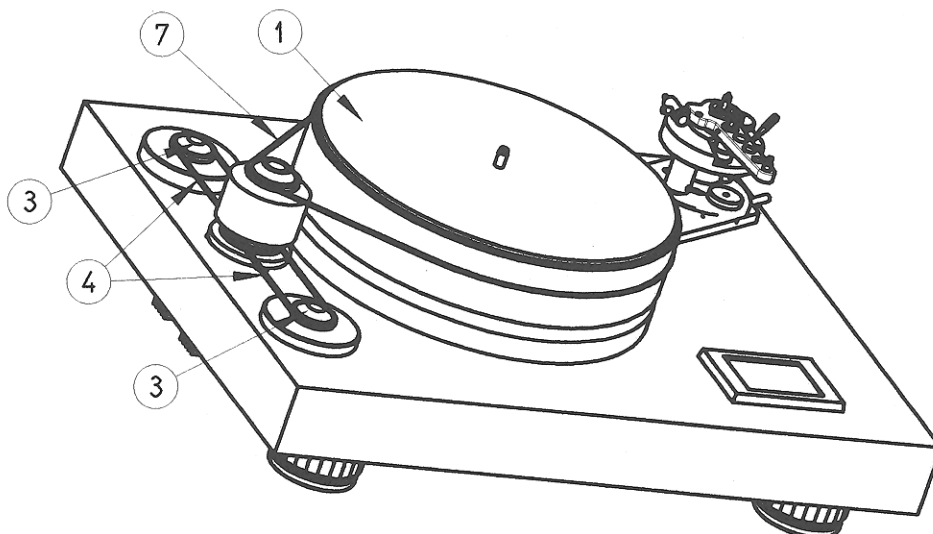


### 4. Drive belt assembly

Drive belts (4) fitting in order: front drive - idler pulley (3)  
rear drive - idler pulley (3)  
Drive belt (7) idler pulley (3) - platter (1)

WARNING:

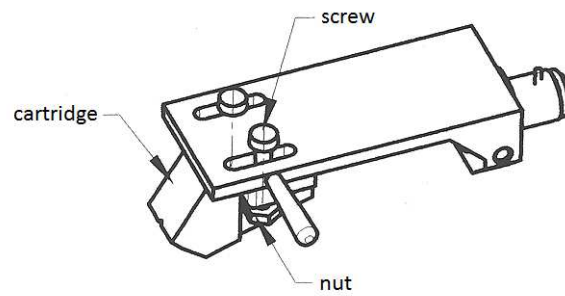
Don't stretch belts too much to avoid damage.



## 5. Headshell

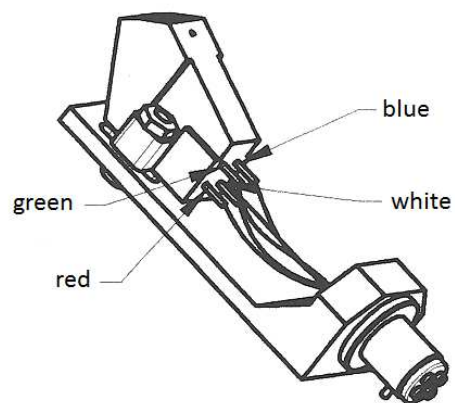
Headshell is stored in a separated packaging.  
When assembling, follow instructions:

### a) Mounting the cartridge into the headshell:



For cartridge assembly use fasteners from cartridge accessories.  
Fix the cartridge in the middle of headshell oval holes.

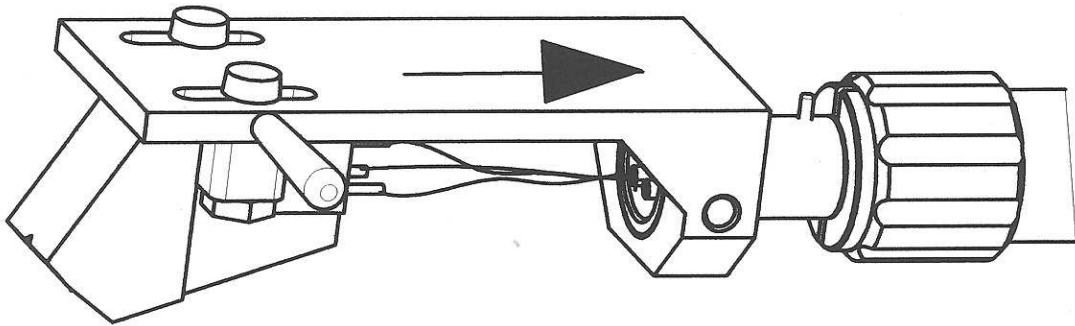
### b) Connecting cartridge



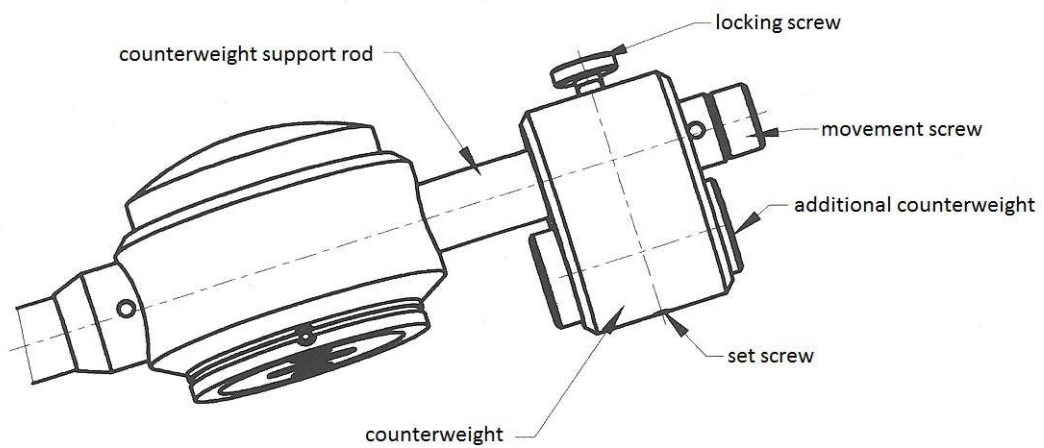
- White left channel L+
- Red right channel R+
- Green right channel R-
- Blue left channel L-

c) Headshell assembly

Plug headshell into the front of the tube. Connector pin must be oriented into the groove. Fixing nut tighten on the tonearm tube properly.



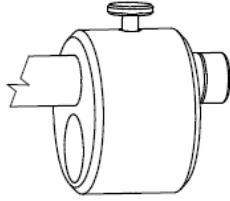
d) Counterweight assembly



Put on counterweight on the support rod. Tighten the locking screw gradually and watch that the shaft entry into thread groove. Then tighten the locking screw. Correction of counterweight's weight is provided by additional counterweight is also tighten by the set screw.

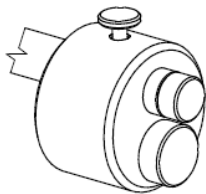
**Setting range of counterweight:**

1. Counterweight without additional counterweight



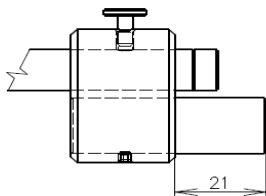
This setting balance cartridge with weight **4.5 – 8 gr.**

2. Counterweight with additional counterweight with dimensions **Ø15mm, length 30mm.**



This setting balance cartridge with weight **8 – 15 gr.**

3. Counterweight with additional counterweight with dimensions **Ø15mm, length 45mm.**

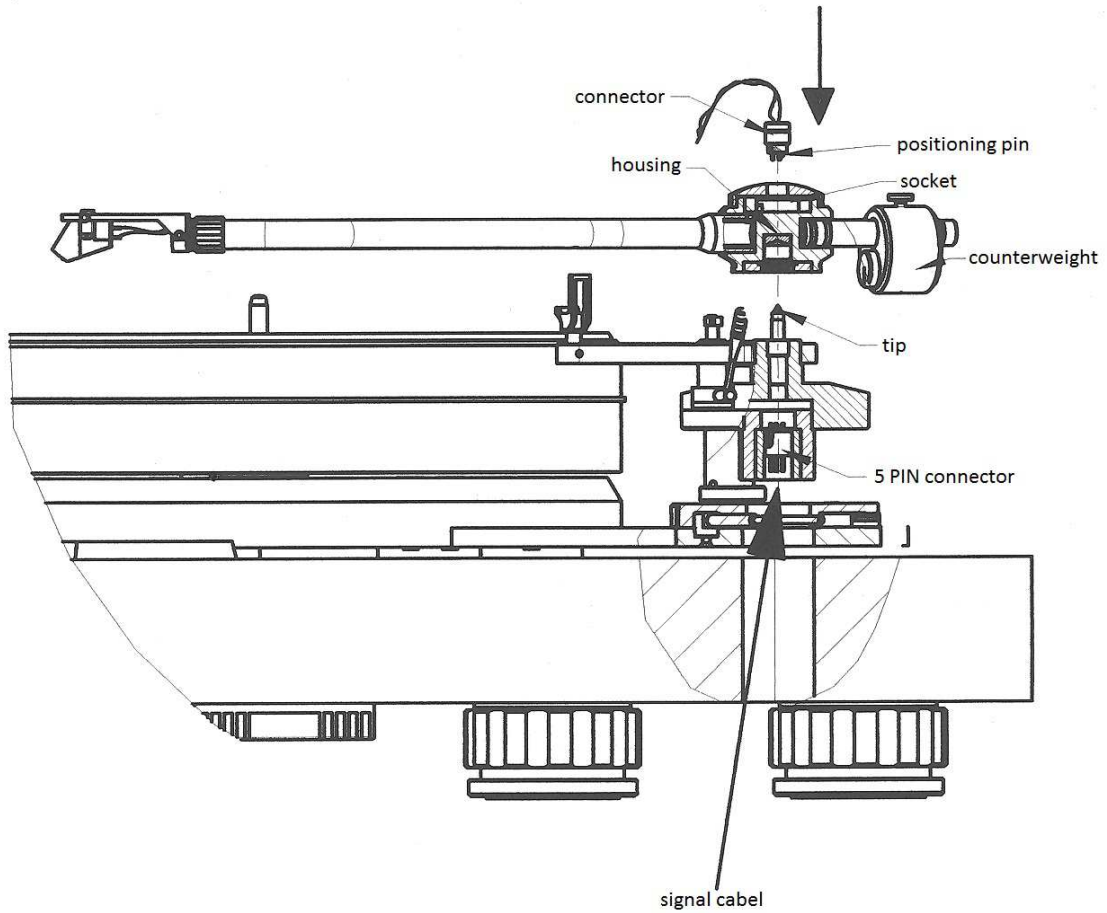


This setting balance cartridge with weight **15 – 23 gr.**

Please note that the maximum visible part of this additional counterweight is **21mm.**

e) Assembly of removable tonearm part to the turntable

Detachable tonearm part, which we already prepared, carefully put to it's place.



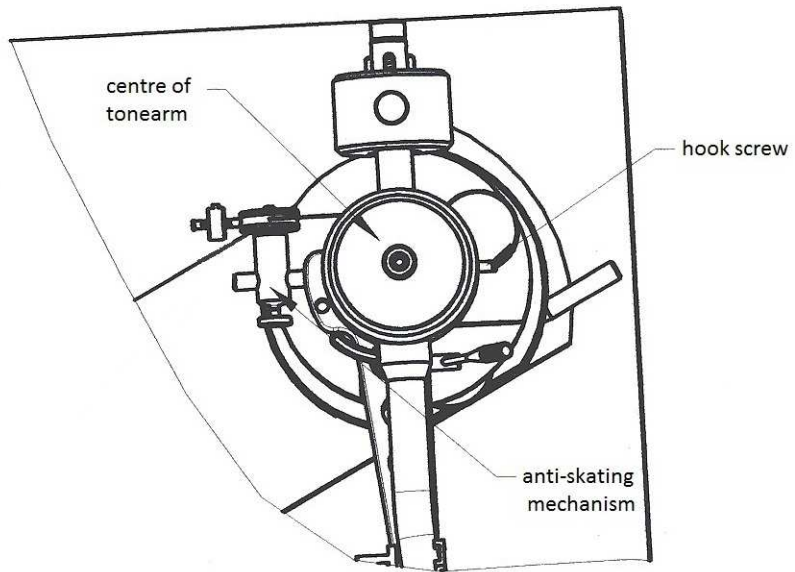
Insert output connector carefully into socket in housing. Positioning pin must be directed to cartridge counterweight. After insertion the connector into socket, lock the connector with fixing nut.

f) Tonearm output connection

Attached signal cable plug to tonearm 5-PIN connector, which is located on the bottom side of the turntable. Keep the right positioning.

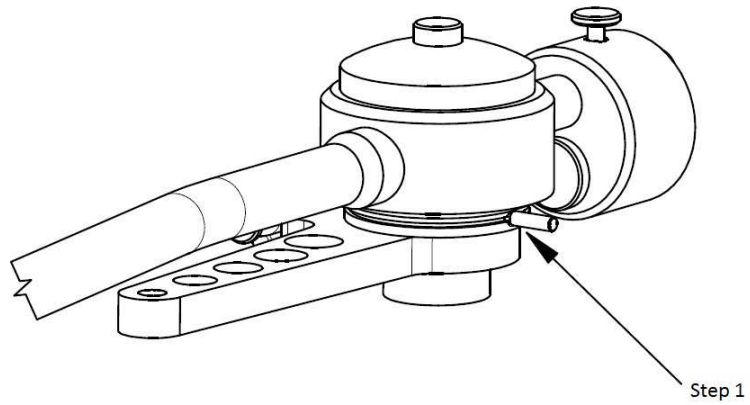


g) Anti-skating assembly

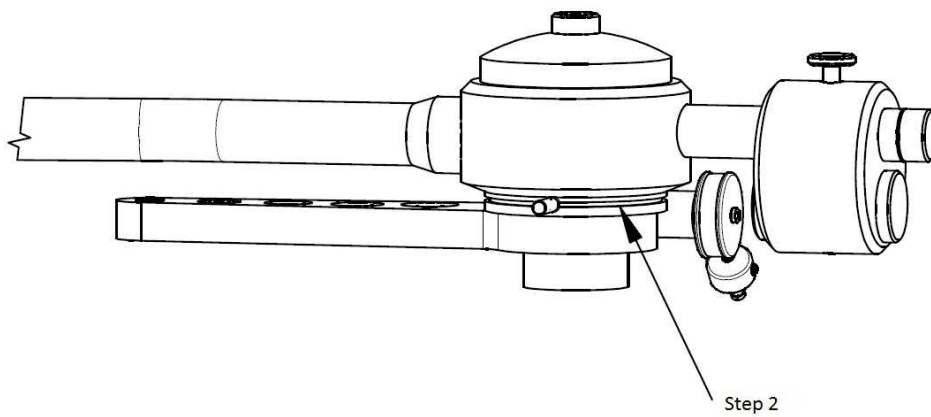


Assembly of anti-skating is described in the following four steps:

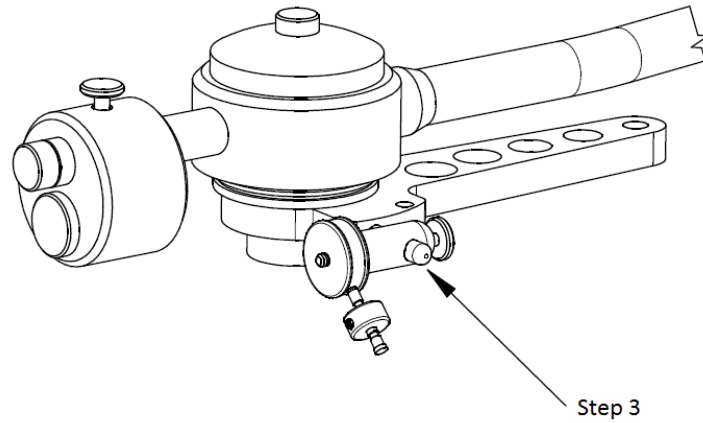
**Step 1:** Mounting the thread on the hook screw



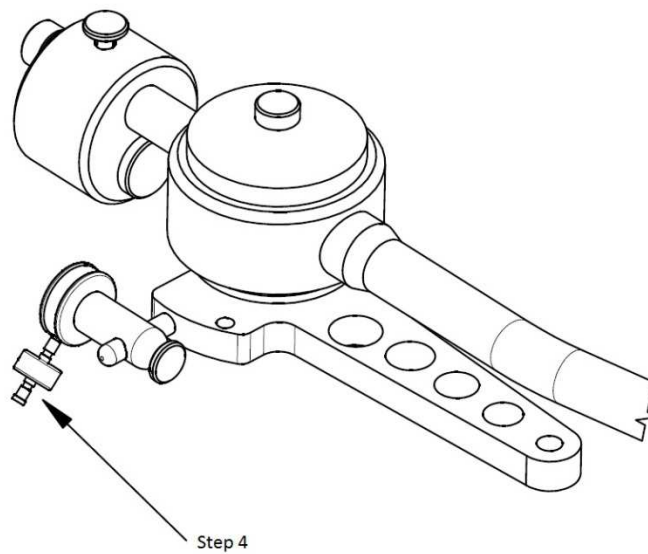
**Step 2:** Put the thread on the correct position in the tonearm groove



**Step 3:** Mounting the anti-skating sliding mechanism on the shaft



**Step 4:** Positioning of the sliding mechanism. Eye of the thread insert on the pin in the groove.



When the tonearm is over the first outer groove of the record, the anti-skating thread must be already tensioned, when it's in the end, it must be still on tension.

**WARNING:**

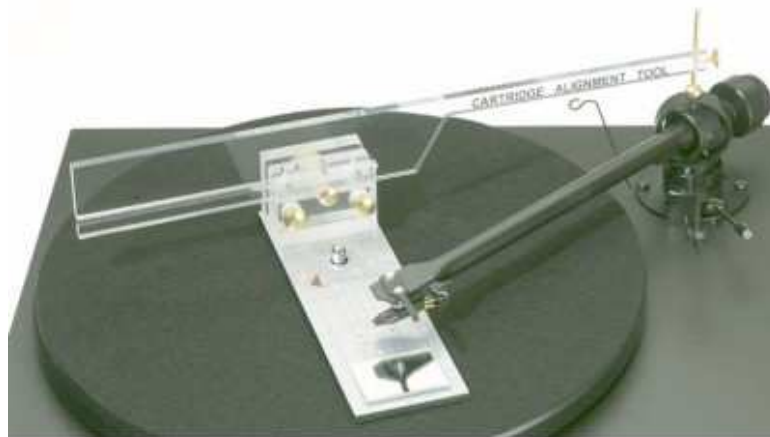
When the thread isn't tensioned at the beginning, at the end already falling on the other side. Be careful, there is a danger to rip off thread by tensile force.

# OPERATING AND CALIBRATION

## 1. Cartridge setting

- Effective length = 304.8mm (12")  
(distance between needle of the cartridge and the vertical rotation axis of the tonearm)
- Mounting distance= 291.6mm  
(distance between spindle and the vertical rotation axis of the tonearm)
- Outer nullpoint:  $r = 62,5\text{mm}$

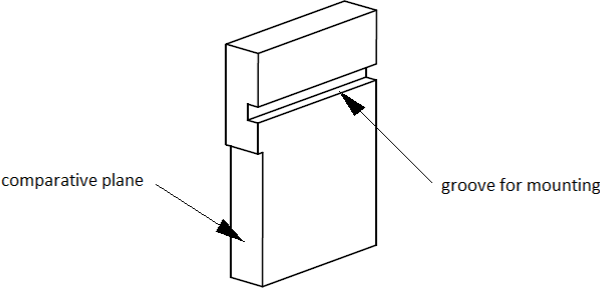
For correct setting use the protractor or **Pro-Ject Align It** tool.



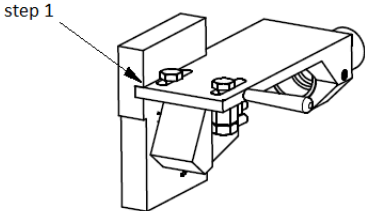
- Tool for cartridge alignment and adjustment
- Special slip-proof tool for defining the turning centre of tonearm
- Adaptable to accommodate differing tonearm lengths
- Suitable for other manufacturer's tonearms

**Setting the position of cartridge in the headshell:**

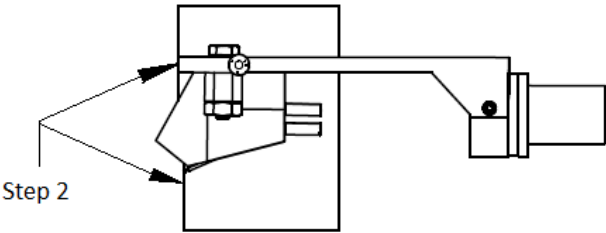
For setting the correct position of cartridge in headshell grooves we designed for you small tool from transparent plexiglass. Please note that this tool is only for headshell from Pro-Ject SIGNATURE tonearm.



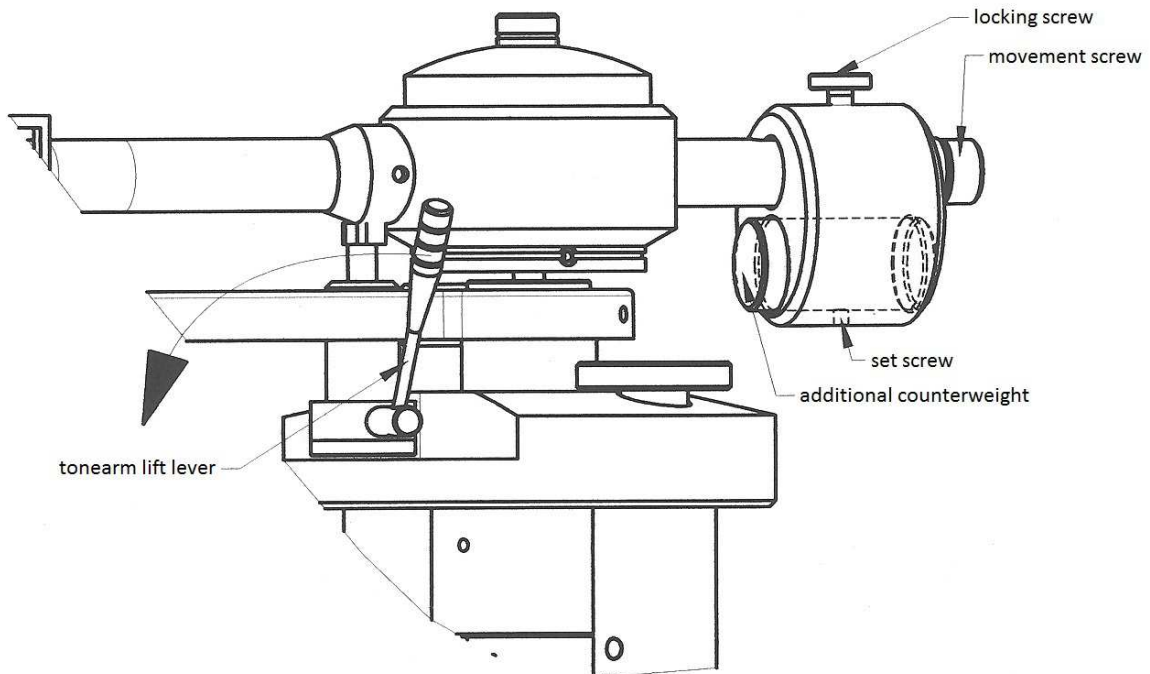
**Step 1:** Place the tool with groove to the headshell as shown.



**Step 2:** Then move the cartridge to the correct position. Correct position is, if the top of the needle is in the same plane like as comparative plane of tool. This is illustrated in the following picture.



## 2. Setting the vertical tracking force (VTF)



Place counterweight halfway along the counterweight support rod, being sure to have the locking screw uppermost. With the power of and platter static, place the stylus pressure gauge onto the platter. To set the required VTF place the tip of the stylus on the pressure gauge. Moving the counterweight towards the cartridge will reduce VTF and away will increase VTF. In order to avoid the damage on the cartridge be sure that all time all the cartridges movements must be done in upper tonearm lift position. Repeat the measuring procedure until you get the correct VTF.

**Adjust the VTF prior to installing the anti-skating weight.**

For adjustment and control of vertical tracking force (VTF) is supplied in the package electronic stylus balance  
**Pro-Ject Meaure IT II**

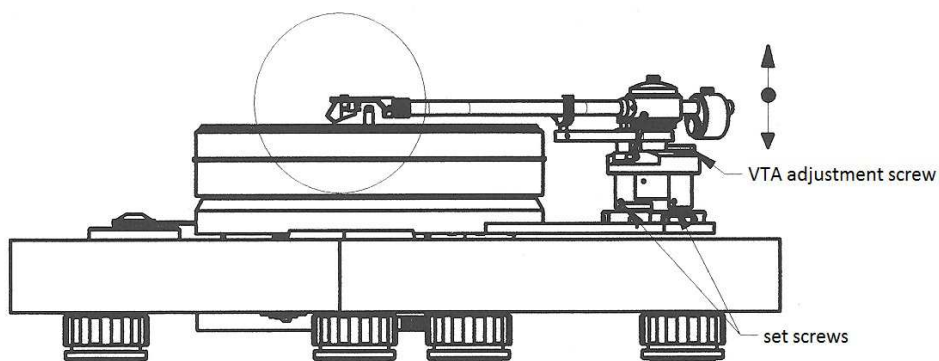


Product information:

- Case made of aluminium
- 4 digit LCD-Display with backlight
- Capacity 0-5g
- Variance  $\pm 0,002g$
- Auto calibration function
- Auto off after 60 seconds
- Batteries supplied (two AAA cells)
- Dimensions (W x H x D) 122 x 25 x 55mm
- Weight 170g

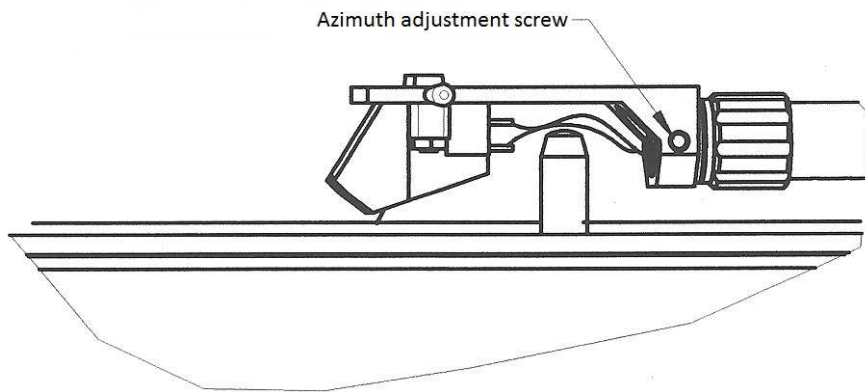
### 3. Adjusting the vertical tracking angle (VTA)

Put a record on the platter. When the needle is lowered into the record groove and the tonearm is not resting on the tonearm rest, the tube of the tonearm should be parallel to the surface of the record. If it is not, loosen both VTA adjustment screws in the tonearm base just enough to allow vertical movement of the arm pillar without force and slide the arm up or down until it is parallel. Carefully retighten VTA adjustment screws without applying excessive force which would deform the arm pillar.



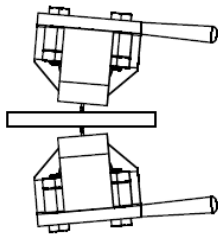
#### 4. Adjusting the azimuth

The cartridge needle must be vertical in the record groove in order to trace the groove wall modulations correctly. A small azimuth adjusting screw on the headshell allows incorrect azimuth to be corrected. Correct position can be checked from the front view, preferably with needle placed on a mirror which is placed on platter.

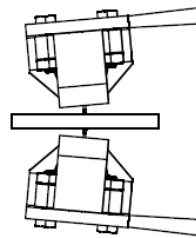


Examples of incorrect azimuth setup:

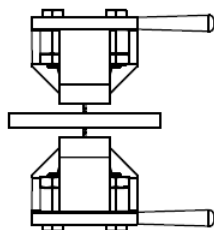
Too much left angle:



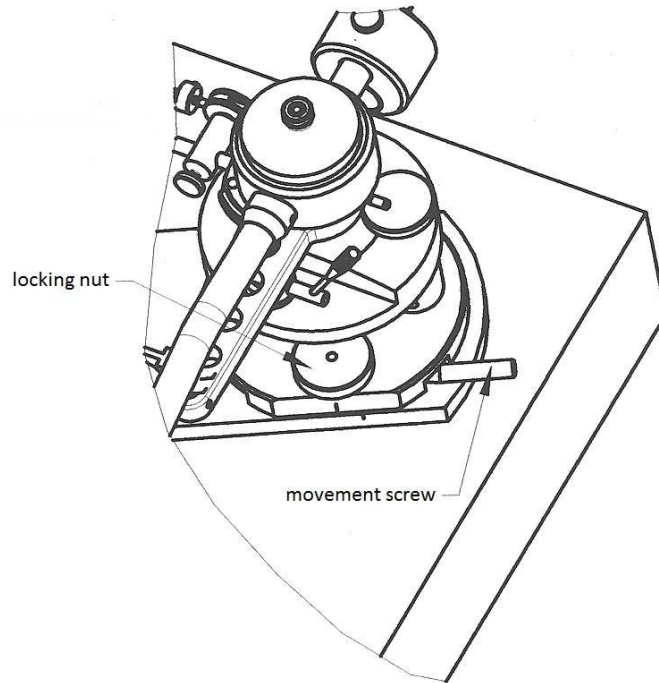
Too much right angle:



The correct position is 100% perpendicular to the record.



## 5. Mounting distance adjustment



Loosen the locking nut allows the linear shifting of the tonearm. Adjust correct distance by using of the scale.

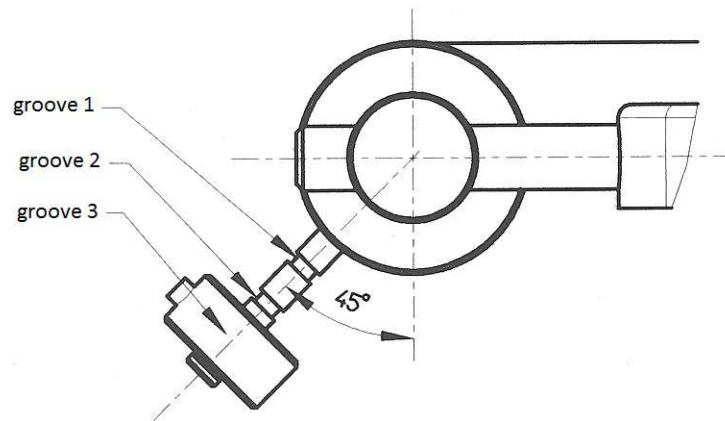
The correct mounting distance 304.8 mm on the scale is valid only if the cartridge is in the correct position on the headshell.

However there are exist very special and different cartridge types which makes a correct mounting distance impossible. In this case you can change the distance of the arm easily and allow you to use all available cartridge types.

Additional this feature allows you to use different alignment tools. There are existing different versions of alignment tools for setting and optimization of null points. You can get with different settings small sound variations.



## 6. Anti-skating force adjustment



With the anti-skating slider adjust the position of the arm weight at 45 degrees.

### Downforce:

Lower than 13mN

13 - 18 mN

18 - 25mN

### Anti-skating groove:

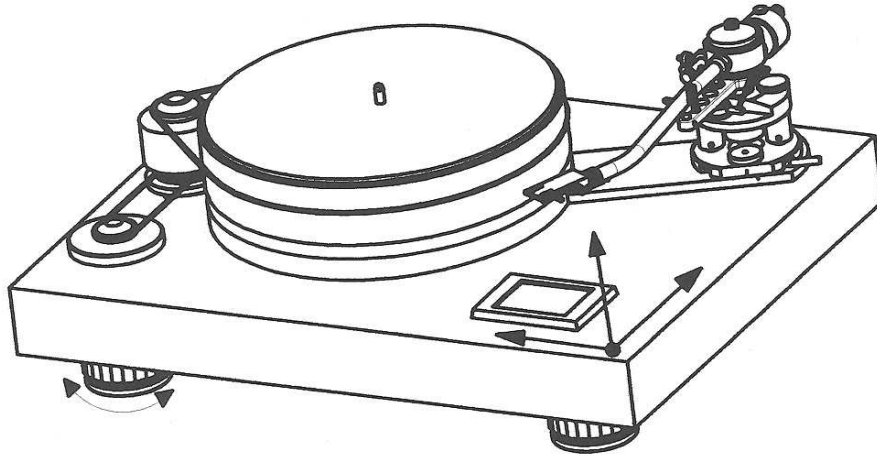
1<sup>st</sup> from bearing rings

2<sup>nd</sup> from bearing rings

3<sup>rd</sup> from bearing ring

## 7. Adjusting the turntable plane

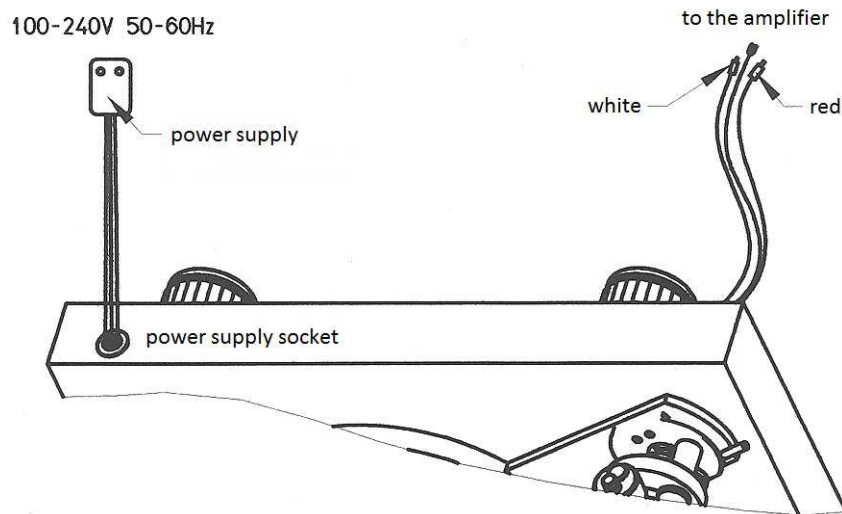
Put the spirit level on the top of the turntable. With feet that are screw-type balance the turntable. Control the plane in several directions.



For optimum positioning of a turntable is supplied **Pro-Ject LEVEL IT**



8. Connect the turntable to the power supply and amplifier



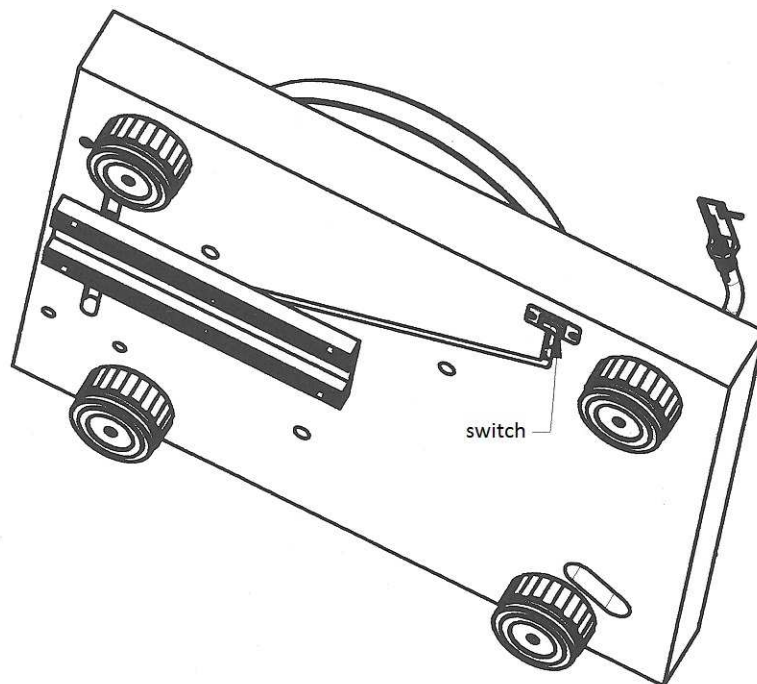
Turntable is supplied with a power supply suitable for your country's mains supply. Check the label before connecting to ensure compliance with the mains rating in your house. Connect the low voltage plug from the power supply to the socket on the rear of the turntable before connecting the power supply to the mains.

Signal cables connect with your phono preamplifier

Red – right channel

White – left channel

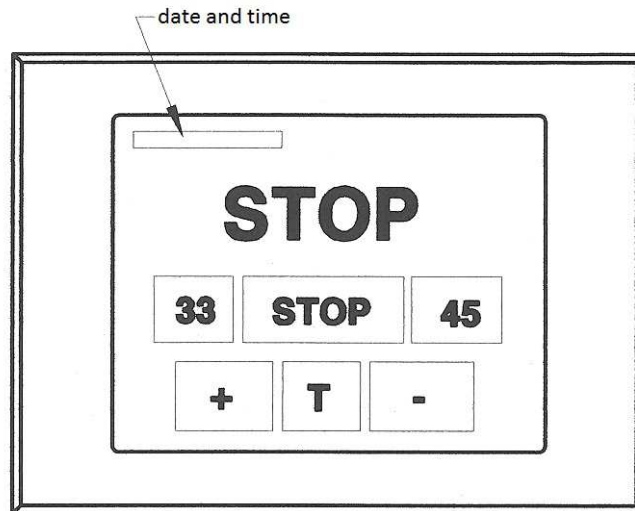
9. The turntable control



- Turn on the switch located in the bottom of plinth

Turntable control is performed by the touch screen.

After turning the switch on, the display shows logo Pro-Ject.  
Touching the screen you can control the turntable functions.



Touching on field 33 or 45 select the desired speed. The display shows „WAIT“ .  
After reaching rated speed is displayed selected value 33,3 or 45,1 .  
Rated speed can be correct by touching the + or –, which changes the value by 0.1 %  
Turn off or pause the recording perform is done by touching the STOP.

Please note :

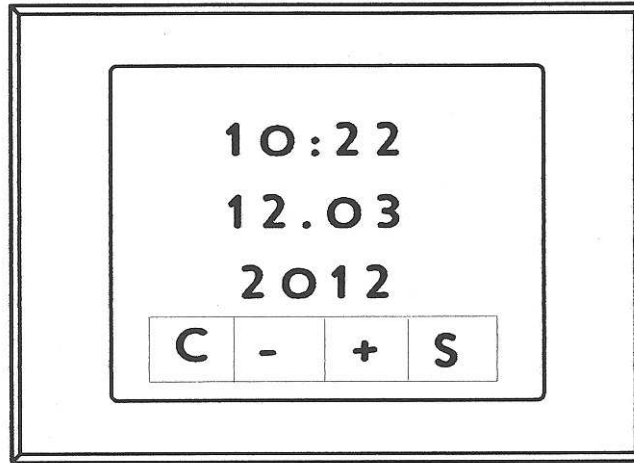
The actual shown speed must not be as the speed in reality. A lot of different possible physical variations may influence it.

For correct control of turntable speed is supplied **Pro-Ject Strobe IT**



## Time and date setting

By touching the screen on the „T“ go to time and date setting window. Touch the mark with altered number and correct value by + or -. The set values can be saved by touching the „S“. To return to control touch the „C“.



## Turntable accessories:

1. 2 pieces of anti-skating thread
2. Centering ring
3. Allen key 1.6mm
4. Allen key 2mm
5. Allen key 5mm
6. Signal cable Connect IT PHONO 5P-C (123 cm, already connected in the tonearm)
7. White cotton gloves
8. Cloth
9. Additional counterweight  $\varnothing$ 15mm, length 30mm.  
(together with the basic counterweight balance cartridge with weight 8-15 gr)
10. Additional counterweight  $\varnothing$ 15mm, length 45mm.  
(together with the basic counterweight balance cartridge with weight 15-23 gr)
11. Spirit level **Pro-Ject Level IT**
12. Tool for correct cartridge assembly
13. Record puck
14. Cartridge alignment tool **Pro-Ject Align IT**
15. Electronic stylus balance **Pro-Ject Measure IT**
16. Instructions for use

### **Potential incorrect use and fault conditions**

PRO-JECT turntables are manufactured to the highest standards and undergo strict quality controls before leaving the factory. Faults that may possibly occur are not necessarily due to material or production faults but can sometimes be caused by incorrect use or unfortunate circumstances. Therefore the following list of common fault symptoms is included.

#### **The platter doesn't turn although the unit is switched on:**

- The unit is not connected to the mains power supply.
- No mains at the socket.
- Drive belt is not fitted or has slipped off.

#### **No signal through one or other channel or both channels:**

- No signal contact from the cartridge to the internal tonearm wiring or from that to the arm lead or from that to the phono box or between that and the amplifier. This could be due to a faulty plug, broken wire or solder joint loose plug/socket connection.
- Phono input not selected at amplifier.
- Amplifier not switched on.
- Amplifier or speakers defective or muted.
- No connection to the loudspeakers.

#### **Strong hum on phono input:**

- No earth connection from cartridge or arm or arm cable to amplifier, or earth loop.

#### **Distorted or inconsistent sound from one or both channels:**

- Record player is connected to wrong input of amplifier, or MM/MC switch incorrectly set.
- Needle or cantilever damaged.
- Wrong r.p.m., drive belt overstretched or dirty, platter bearing without oil, dirty or damaged.

### **Service**

Should you encounter a problem which you are not able to alleviate or identify despite the above informations, please contact your dealer for further advice. Only when the problem cannot be resolved there should the unit be sent to the responsible distributor in your country.

Guarantee repairs will only be effected if the unit is returned correctly packaged. For this reason we recommend keeping the original packaging.

Never return a record player without making sure that it is safely disassembled and correctly packaged in the original packaging according to the supplied diagram. Please remove these parts and pack them separately: feet, counterweight, platter, cartridge and belt. Fit the cartridge protection cap. Insert the transport lock for the tonearm prior to carefully packaging the record player.

### **Warranty**

The manufacturer accepts no responsibility for damage caused by not adhering to these instructions for use and/or by transportation without the original packaging. Modification or change to any part of the product by unauthorized persons release the manufacturer from any liability over and above the lawful rights of the customer.

PRO-JECT is a Registered Trademark of H. Lichtenegger.

This guide was produced by: Pro-Ject Audio Systems  
Copyright © 2012. All rights reserved.

The information was correct at the time of going to press. The manufacturer reserves the right to make changes to the technical specification without prior notice as deemed necessary to uphold the ongoing process of technical development.

# Technical specifications Pro-Ject SIGNATURE

Nominal speeds	33,3/45,11 r.p.m
Switching speeds	electronic, by LCD display
Speed variance	$\pm 0,1\%$
Wow and flutter	$\pm 0,08\%$
Signal to noise	-75 dB
Drive	3x silicon drive belt
Motor	2x micro-processor synchronous motors
Platter	Aluminium alloy $\varnothing 300\text{mm}$
Power supply	switch mode power supply
Power consumption	20W DC
Dimensions	570 x 440 x 234mm (WxHxD)
Weight	34,3 kg
Effective tonearm length	12"(304,8mm)
Effective tonearm mass	19,5g
Mounting distance	291,6mm
Overhang	13,2mm
Offset angle	18°
Inner nullpoint	r= 62,5mm;r=125.85mm
Vertical tracing force range	0-30mN

