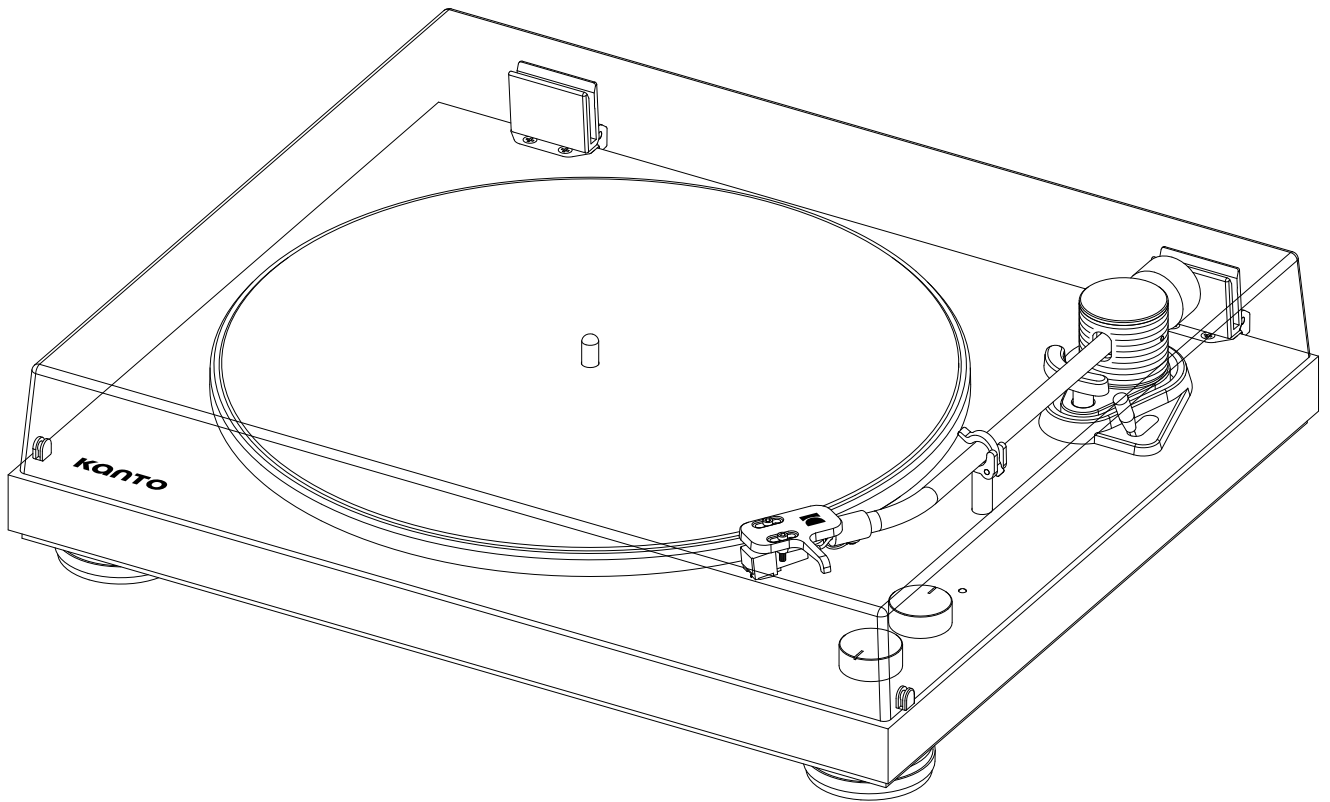


OB13

Turntable



KANTO

English User Manual

Important Safety Precautions



ATTENTION

The exclamation point within an equilateral triangle is intended to alert the user of the presence of important operating and maintenance (servicing) instructions in the literature accompanying the apparatus.



Caution: to reduce the risk of electric shock, do not remove back panel. No user serviceable parts inside. Refer servicing to qualified service personnel.



DANGEROUS VOLTAGE

The lightning flash with arrowhead, within an equilateral triangle, is intended to alert the user of the presence of non-insulated "dangerous voltage" within the product's enclosure that may be of sufficient magnitude to constitute a risk of electric shock to persons.

-
- Read these instructions.
 - Keep these instructions.
 - Heed all warnings.
 - Follow all instructions.
 - Do not use this apparatus near water.
 - Clean only with a dry cloth.
 - Do not block any openings. Install in accordance with the manufacturer's instructions.
 - Do not install near any heat sources such as radiators, heat registers, stoves, or other apparatus (including amplifiers) that produce heat.
 - Protect the power-supply cord from being walked on or pinched, particularly at plugs, convenience receptacles and the point where they exit from the apparatus.
 - When a stand is used, use caution when moving the stand/apparatus combination to avoid injury from tip-over.
 - Unplug this apparatus during lightning storms or when unused for long periods of time.
 - Refer all servicing to qualified service personnel. Servicing is required when the apparatus has been damaged in any way, such as power-supply cord or plug is damaged, liquid has been spilled or objects have fallen into the apparatus, the apparatus has been exposed to rain or moisture, the apparatus does not operate normally, or the apparatus has been dropped.
 - Apparatus shall be connected to a MAINS socket outlet with a protective earthing connection.
 - An appliance input coupler is used as the disconnect device - the disconnect device shall remain readily operable.
-

FCC Warnings

This device complies with part 15 of the FCC Rules. Operation is subject to the following two conditions: (1) This device may not cause harmful interference, and (2) this device must accept any interference received, including interference that may cause undesired operation.

Any changes or modifications not expressly approved by the party responsible for compliance could void the user's authority to operate the equipment.

Note: This equipment has been tested and found to comply with the limits for a Class B digital device, pursuant to part 15 of the FCC Rules. These limits are designed to provide reasonable protection against harmful interference in a residential installation. This equipment generates uses and can radiate radio frequency energy and, if not installed and used in accordance with the instructions, may cause harmful interference to radio communications. However, there is no guarantee that interference will not occur in a particular installation. If this equipment does cause harmful interference to radio or television reception, which can be determined by turning the equipment off and on, the user is encouraged to try to correct the interference by one or more of the following measures:

- Reorient or relocate the receiving antenna.
- Increase the separation between the equipment and receiver.
- Connect the equipment into an outlet on a circuit different from that to which the receiver is connected.
- Consult the dealer or an experienced radio/TV technician for help. This equipment complies with FCC radiation exposure limits set forth for an uncontrolled environment. This equipment should be installed and operated with minimum distance 20cm between the radiator & your body.

IC WARNING

This radio transmitter has been approved by Industry Canada.

This Class B digital apparatus complies with Canadian standard ICES-003. This device complies with Industry Canada License exempt RSS standard(s). Operation is subject to the following two conditions.

(1) This device may not cause interference, and (2) this device must accept any interference, including interference that may cause undesired operation of the device.

This equipment complies with ISED radiation exposure limits set forth for an uncontrolled environment. This equipment should be installed and operated with minimum distance 20cm between the radiator & your body.

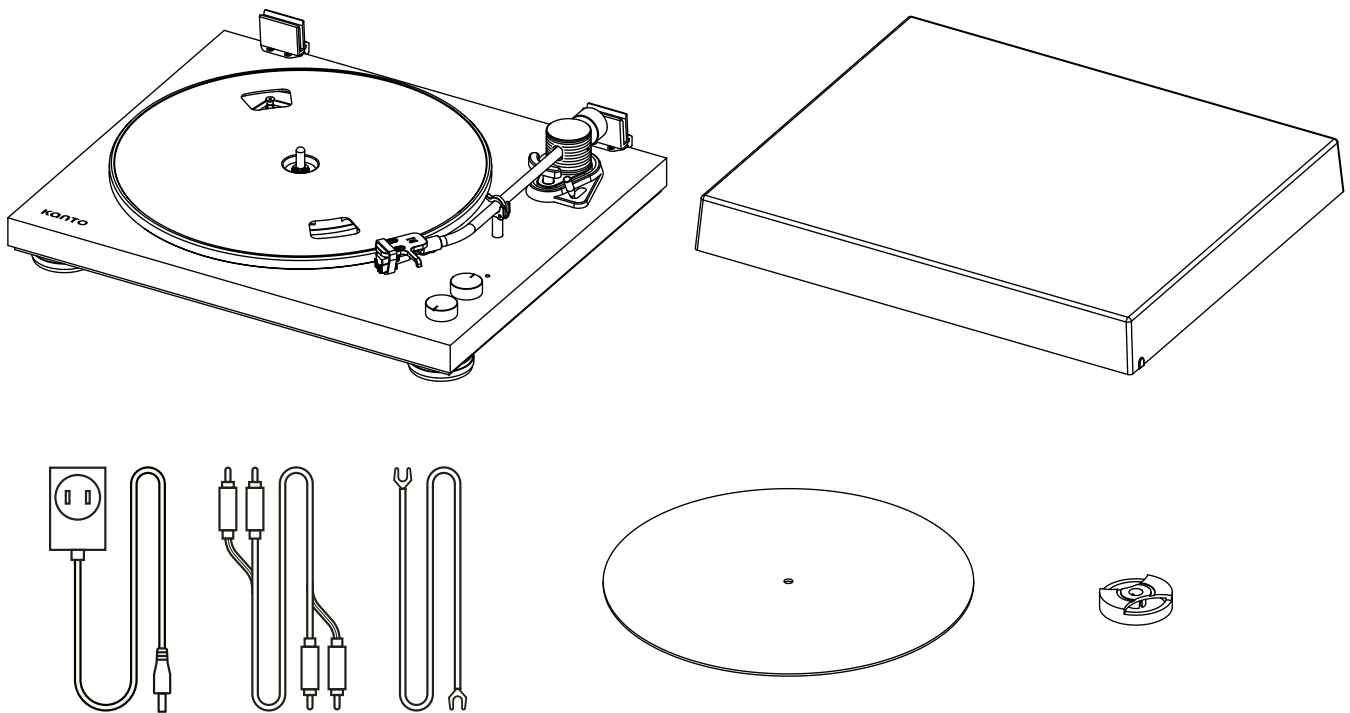
Introduction

Bring the warmth of vinyl to your home with classic charm and modern convenience. With its sleek, cohesive design and thoughtful details like flush-mounted hinges and a polished aluminum platter, Obi3 is crafted for the ears and the eyes. The intuitive pitch control knob lets you slow things down, speed them up, and discover new textures in your favorite albums. With the choice of Bluetooth® for wireless freedom, or RCA with a built-in phono preamp for a classic connection, Obi3 can spin through any speaker system. Delivering smooth, balanced sound through the venerable Audio-Technica 3600L cartridge, Obi3 offers a gateway to deeper listening. Thoughtful, stylish, and ready to play, Obi3 makes it approachable to enjoy the richness within your records.

This turntable was carefully tested and inspected during production, and before packaging and shipping. After unpacking, please check for any damage. It is rare that a unit is damaged during shipping, but if this happens contact your retailer immediately.

You can also call Kanto directly at 1-888-848-2643 or email support@kantoliving.com.

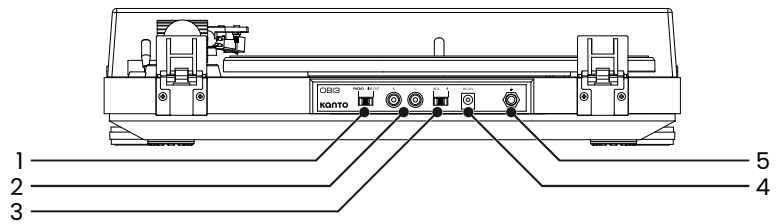
What's in the box?





Turntable Overview

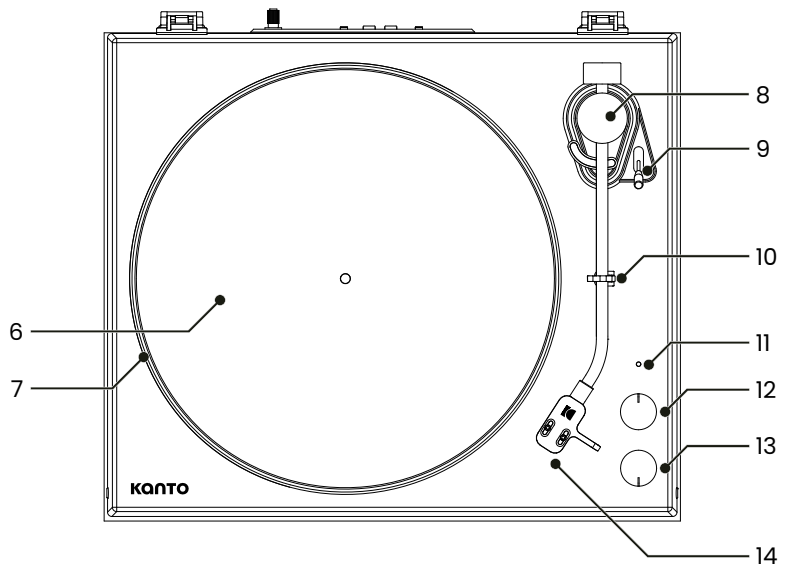
Rear of Turntable

- 1 Phono / Line Out Switch
- 2 RCA Output
- 3 RCA / Bluetooth Out Switch
- 4 DC Input Connection
- 5 Ground Connector



Top of Turntable

- 6 Felt Mat
- 7 Platter
- 8 Tonearm
- 9 Cue Lever
- 10 Tonearm Lock
- 11 LED
 - Red - Phono On
 - Blue -  Pairing (flashing)
 -  Paired (solid)
- 12 Pitch Control
- 13 Power On / Off and 33 / 45 RPM Switch
- 14 Headshell with Pre-Installed AT3600L Cartridge

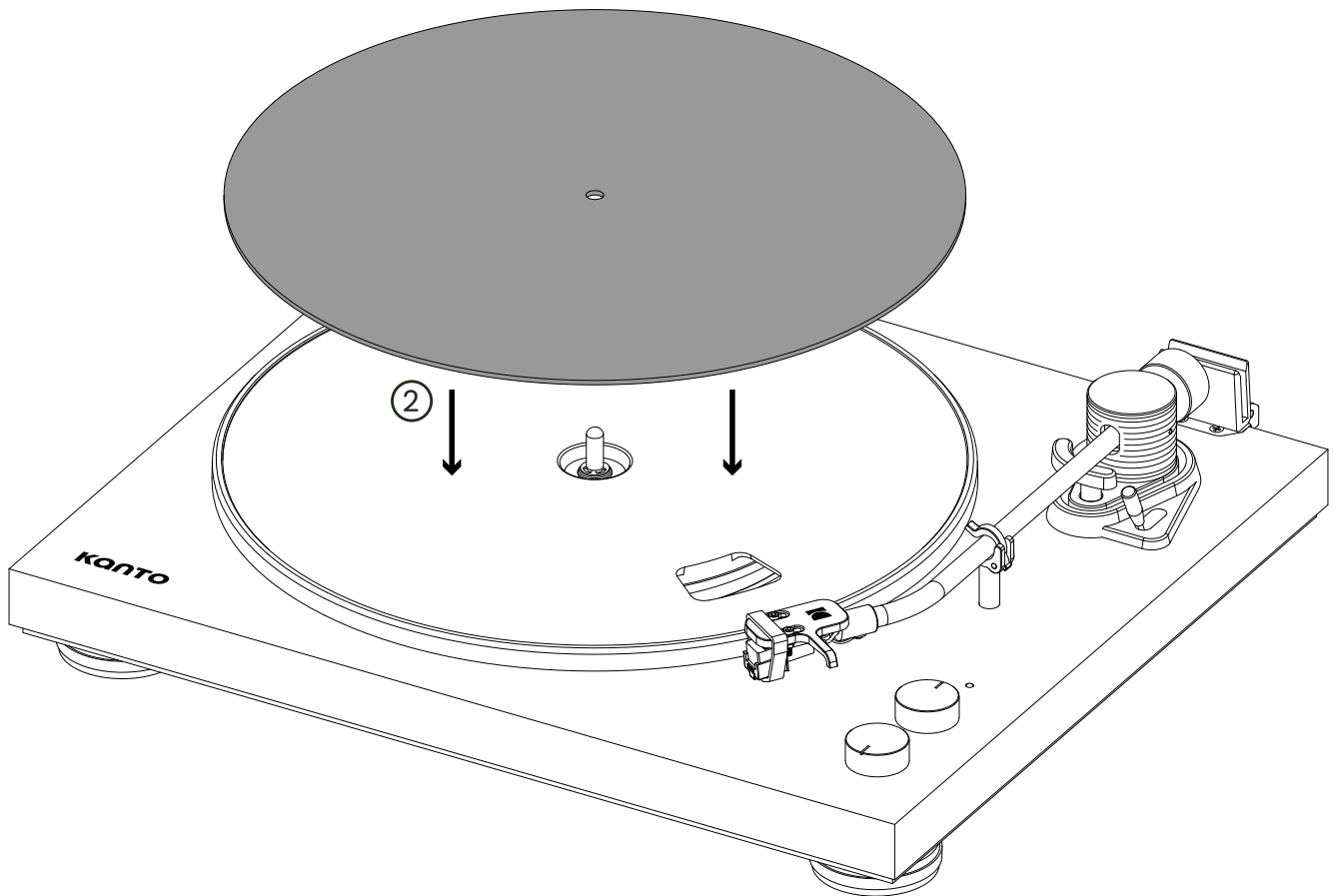


Setting Up Your Turntable

Obi3 is preconfigured from the factory, meaning there is no need to adjust cartridge tracking force or anti-skate settings.

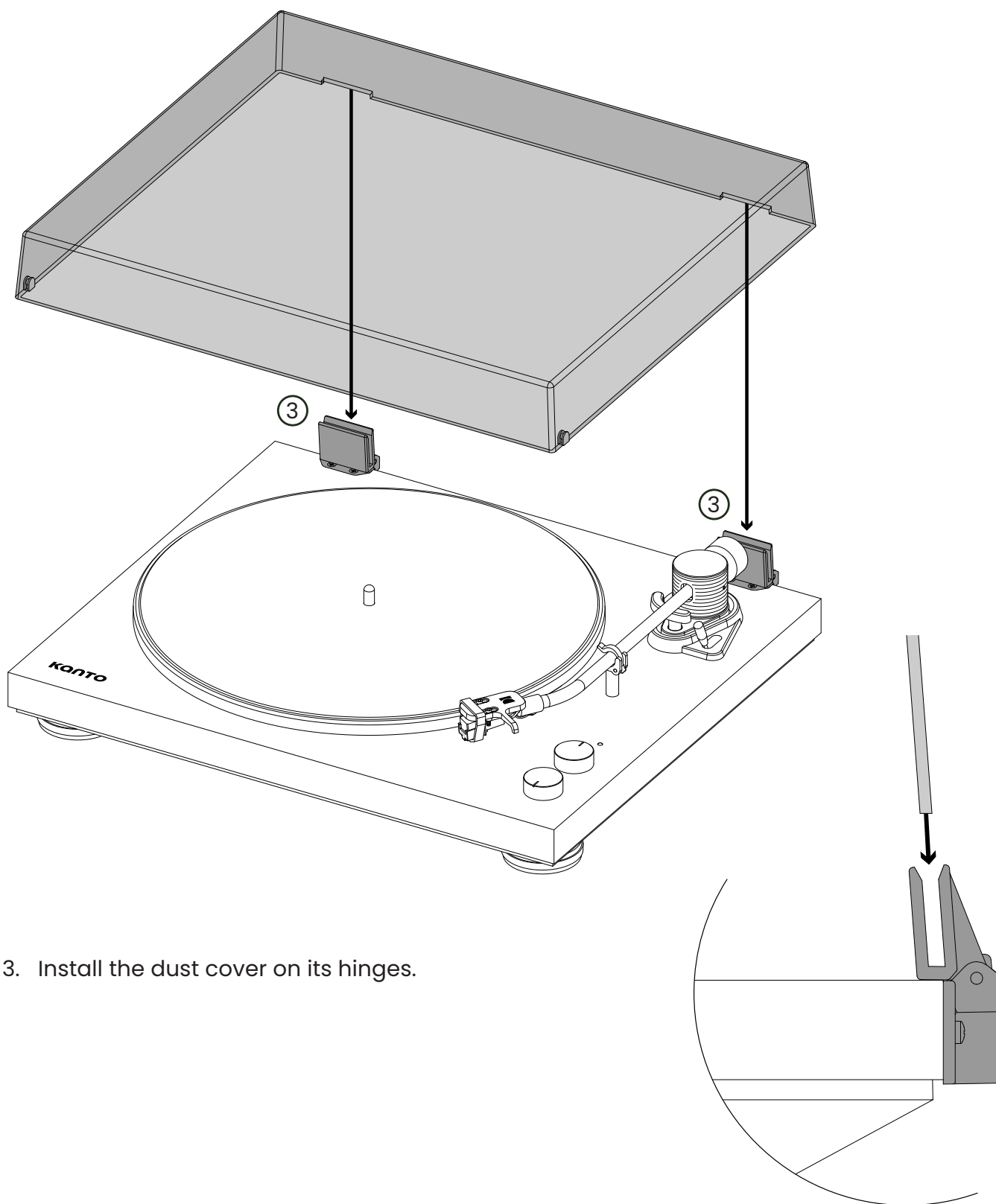
For optimal performance, place Obi3 on a stable, level surface. To prevent speaker vibrations from being picked up by the sensitive tonearm, it is recommended to place the turntable on a different surface than your speakers. Using speaker stands can help to isolate and decouple speakers from the surface, further improving sound quality. To prevent potential warping of records, try to keep the unit out of direct sunlight, and do not leave records on the turntable when not in use.

1. Carefully remove Obi3 with its packing from the box.



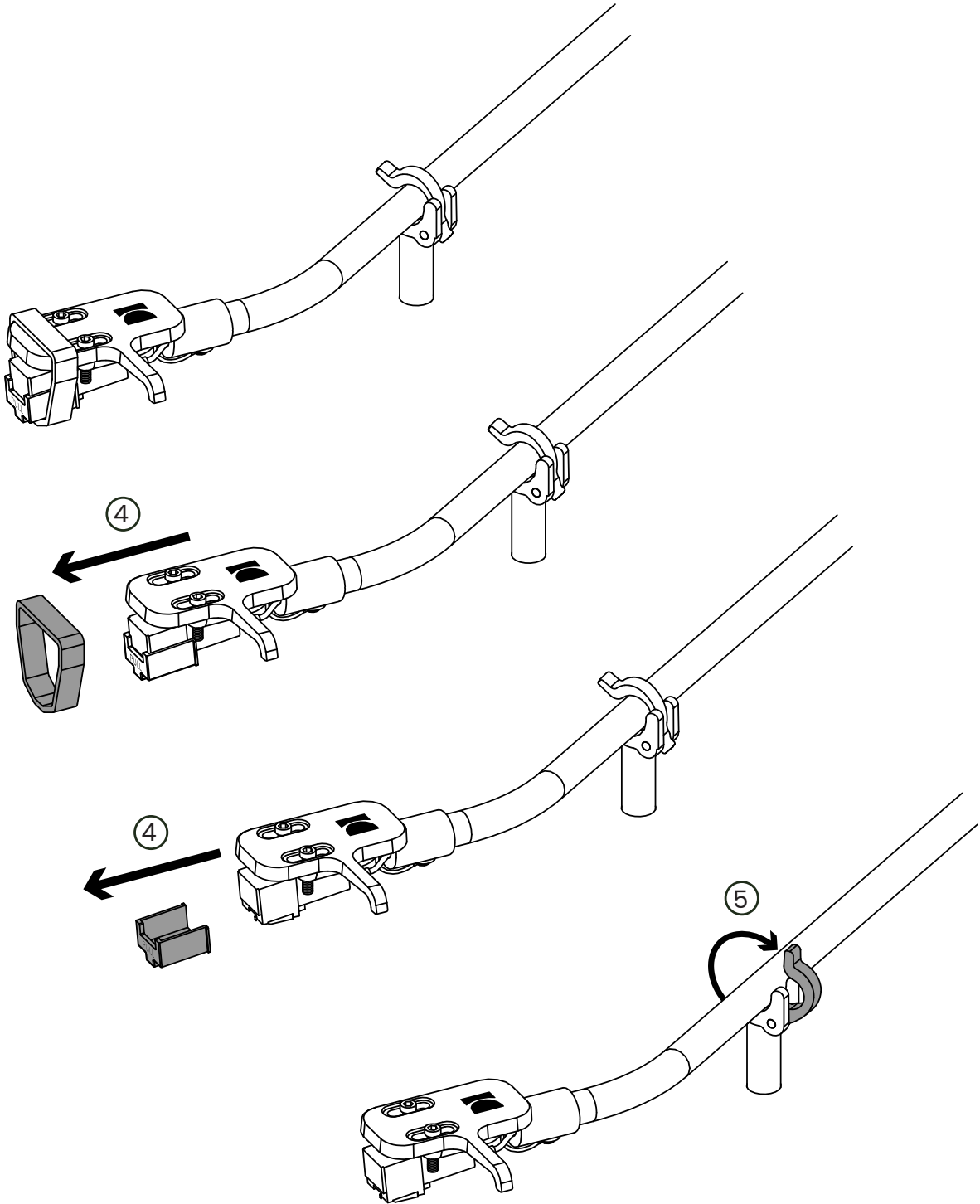
2. Place the slip mat on the platter.

cont'd



3. Install the dust cover on its hinges.

cont'd



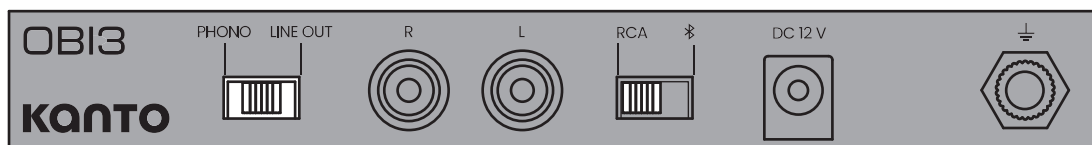
4. Remove the plastic cover from the cartridge.

5. Release the circular tonearm lock.

Connecting Audio Sources

For best audio quality use wired connection. An RCA cable and ground cable are included. Select RCA or Bluetooth from the rear of unit depending on your preferred setup. When connecting audio cables the On / Off Switch must be turned off.

Connecting to a Powered Speaker with a Built-in Phono Preamp



PHONO ↔ LINE OUT ←

1. Ensure Obi3 is set to RCA on rear of unit. Set Obi3's internal phono pre-amp to the PHONO output setting. This bypasses the turntable's built-in pre-amp, sending a low-level phono signal.
2. Use the supplied RCA cable to connect the RCA outputs of Obi3 to the PHONO input of your powered speaker. If your speaker has a shared RCA input that can accept line or phono, ensure it is set to PHONO to enable the speaker's built-in preamp.
3. If the amp has a ground post ensure you connect the supplied ground wire to amp and Obi3.

Connecting to a Powered Speaker without a Built-in Phono Preamp

1. Ensure Obi3 is set to RCA on rear of unit. Set Obi3's internal phono pre-amp to the LINE OUT output setting. This activates the turntable's built-in phono pre-amp, converting the phono signal to a line-level signal.
2. Use the supplied RCA cable to connect the RCA outputs of Obi3 to the PHONO input of your amplifier.

Kanto speakers with a built-in phono preamp: Tuk, Yu6, Yu4

Connecting to an Amplifier with a Built-in Phono Preamp

1. Ensure Obi3 is set to RCA on rear of unit. Set Obi3's internal phono pre-amp to the PHONO output setting. This bypasses the turntable's built-in pre-amp, sending a low-level phono signal.
2. Use the supplied RCA cable to connect the RCA outputs of Obi3 to the PHONO input of your amplifier.
3. If the amp has a ground post ensure you connect the supplied ground wire to amp and Obi3.

Kanto speakers without a built-in phono preamp: Ren, Yu, Ora4, Ora, Yu2, Uki

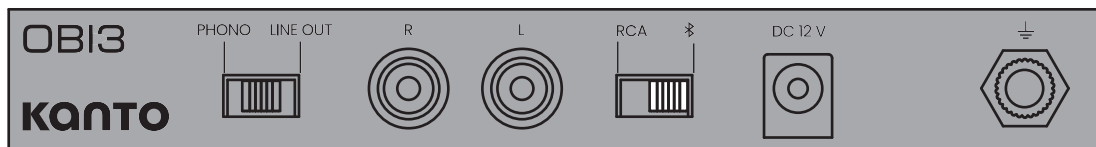
Connecting to an Amplifier without a Built-in Phono Preamp

1. Ensure Obi3 is set to RCA on rear of unit. Set Obi3's internal phono pre-amp to the LINE output setting. This activates the turntable's built-in phono pre-amp, converting the phono signal to a line-level signal.
2. Use the supplied RCA cable to connect the RCA outputs of Obi3 to a line-level RCA input on your amplifier.

Connecting Bluetooth



1. Ensure your Bluetooth playback device (such as speakers, an amplifier, or headphones) is powered on and set to its Bluetooth input mode. Place your playback device into pairing mode, referring to your device's manual for specific instructions on how to do this.
2. Activate Bluetooth pairing on Obi3 by setting switch to Bluetooth on rear of unit. A flashing Bluetooth indicator light on the top of Obi3 will confirm it is in pairing mode, indicating that Obi3 is actively searching for a compatible playback device.



RCA →

3. Allow Obi3 time to search for and automatically connect with your playback device.
4. Once successfully paired, the Bluetooth indicator light on Obi3 will typically become solid, indicating a stable connection.

Bluetooth Operation

We recommend keeping a maximum distance of less than 10 meters (33 ft) between Obi3 and your Bluetooth playback device. The best signal fidelity is generally achieved within this range. If your playback device does not pair with Obi3, or if the connection is lost, you may need to power-cycle Obi3 by turning it off and on, and also ensure your playback device's Bluetooth is reset or power-cycled.

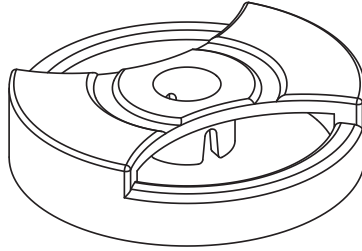
Playing a Record

Once your turntable is properly set up and connected, you can begin enjoying your vinyl collection.

To ensure consistent playback, it is recommended to keep the dust cover closed during playback and when the turntable is not in use.

Follow these steps to play a record.

1. Turn on your speakers or amplifier and select the correct input on your speakers or amplifier.
2. Place a record on the slip mat on the turntable platter. If you are playing a 45 RPM record with a large center hole, place the 45 RPM adapter on the center spindle first.



3. Set the turntable speed to match the record. Most LPs play at 33 $\frac{1}{3}$ RPM, while singles and EPs often play at 45 RPM. Select the correct speed for your record with the 45 / 33 switch.
4. Lift the cue lever to raise the tonearm above the record surface.
5. Gently move the tonearm over the desired groove at the beginning of the record.
6. Lower the cue lever. The tonearm will descend slowly onto the record, and playback will begin.

When play is finished

1. Lift the cue lever to raise the tonearm from the record.
2. Move the tonearm back to the tonearm rest. You can secure it with the tonearm clamp if desired.

Special Functions

Pitch Control

Obi3's pitch control feature allows you to precisely dial in the correct playback speed and offers creative control over your audio. The speed can be increased or decreased by 10% from the center detent position. Adjust the pitch of your record so that it sounds correct to your ear.

Auto Stop

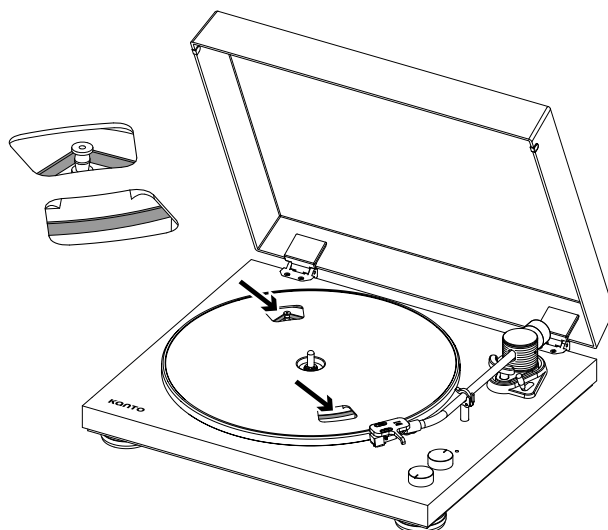
Obi3 auto stop function is designed to stop the platter from spinning once it reaches the end of the record, which helps to prevent stylus wear extending the life of your stylus. Due to variations in vinyl record production, some records may not work correctly with this function.

Replacing Components

Obi3 contains components that may experience wear over time and require replacement. Regular maintenance and timely component replacement can help ensure continued high-fidelity playback.

Replacing the Drive Belt

As a belt-drive turntable, the drive belt on Obi3 is a crucial component that connects the motor to the platter. Over time, the belt may become stretched, loose, or dirty, which can result in the platter not spinning correctly or an inconsistent sound. If your platter is not turning even when the unit is switched on, or if the sound is distorted or inconsistent, check if the drive belt is installed correctly or if it has slipped off. Should you require a new drive belt, please contact Kanto Customer Support directly for assistance.



Replacing the Stylus

Obi3 is equipped with an Audio Technica AT3600L cartridge. The stylus, also known as the needle, is a component that is attached to the cartridge that sits in the grooves of your record. It is a delicate part that will wear out with use and should be periodically cleaned and inspected. It may be time to replace the stylus if you notice distortion in the sound, an increase in surface noise, frequent skipping, or a loss of clarity—particularly in the high frequencies. Visible damage, such as a bent cantilever or chipped tip, is also a clear indicator.

The compatible replacement stylus for the AT3600L cartridge are ATN3600L, ATN3600LC, or ATN3600LE.



ATTENTION: Obi3 is specifically designed for optimal performance with the pre-installed Audio Technica AT3600L cartridge. Due to the fixed nature of the tonearm's tracking force on Obi3, using any cartridge or stylus other than the specified AT3600L and its compatible styli is not recommended. Attempting to use an unsupported cartridge or stylus may result in unsafe or inconsistent playback, lead to poor audio quality, and potentially cause damage to your records or the unit itself.

Audio Troubleshooting Guide

This guide addresses common issues you might encounter with Obi3. If you experience a problem not listed here, or if the suggested solutions do not resolve the issue, please consult your retailer or contact customer support for further assistance.

Make sure all components (turntable, speakers, amplifier) are turned OFF before connecting or disconnecting any cables.

1. Platter is not spinning.
 - Check power cable seating and ensure connected to working power outlet.
 - Ensure correct speed is selected.
 - Check if belt slipped off.
 - Auto stop mechanism may be engaged if at end of record – lift cue lever and move tonearm back and try again.
2. No audio is playing / Volume is low.
 - Ensure plastic on cartridge is removed.
 - Ensure Obi3's PHONO/LINE switch is correctly set for your receiving device. See pg. 8 for Connecting audio sources. Verify that the volume of the speaker is not at its minimum level. Turn the volume up using the knob on the front of the speakers.
 - Verify that the RCA audio cables are firmly connected to the RCA outputs of Obi3.
 - Test with playback device that you know works.
3. Audio is distorted, buzzing, or skipping.
 - If using Obi3's PHONO output and connecting to a receiving device with a ground post on its phono input, ensure the turntable's ground wire is connected to this post to reduce hum (Note: This is typically not needed when using Obi3's LINE output). Check that the audio cable connected to and from the source is firmly seated. Try a different cable or source to isolate the issue.
 - Ensure Obi3's PHONO/LINE switch is correctly set for your receiving device. See pg. 8 for Connecting audio sources.
 - Ensure RCA audio cables are firmly seated at both ends. Try a different RCA cable if available, as a faulty cable can cause interference or poor sound.
 - Try connecting Obi3 to a power outlet on a different electrical circuit to rule out electrical interference.
 - Isolate the source of noise by disconnecting all other audio sources from your powered speaker or amplifier to determine if the noise is originating from another component in your system.
 - Visually inspect the stylus (needle) for any damage, bending, or debris. A worn, dirty, or damaged stylus can cause significant distortion or buzzing. Ensure the cartridge is securely mounted.
 - Clean your records.
 - Ensure Obi3 is placed on a stable, perfectly level surface. Use a spirit level to verify. An uneven surface can cause the tonearm to track improperly and skip.
 - Ensure Obi3 is placed away from speakers preferably on a separate surface.
4. Bluetooth playback device will not connect to Obi3.
 - Ensure both Obi3 and playback device are in pairing mode.
 - Re-enable Bluetooth: Try turning Bluetooth off and then back on again on both Obi3 and your Bluetooth speaker.
 - Ensure Obi3 and your Bluetooth speaker are within a maximum distance of less than 10 meters (33 ft) for optimal signal fidelity during pairing and playback.
5. Audio is only playing out of one channel.
 - Reattach RCA or replace cable.
 - Cartridge wires may become unplugged. Message Kanto support for more info.
6. Playback speed is incorrect.
 - Confirm that the 33-1/3 RPM or 45 RPM speed control is set correctly for the vinyl record you are playing.
 - Adjust pitch control knob until desired playback speed is reached. This knob allows for +/- 10% adjustment of playback speed.
 - Ensure the drive belt is properly seated around the motor pulley and the inner rim of the platter. If the belt is slipped or twisted, it can affect playback speed.

Specifications

OBI3

Drive Type	Belt
Cue	Manual lever
Plinth Material	Engineered wood
Platter Material	Weighted aluminium
Feet	Non-adjustable
Tonearm	Aluminium J-shaped
Antiskate	Internal non-adjustable
Speed Control	33-1/3 & 45 RPM Pitch control knob (+/- 10%)
Cartridge	Audio-Technica AT3600L
Outputs	1 x RCA with selectable phono pre-amp 1 x Bluetooth 5.3

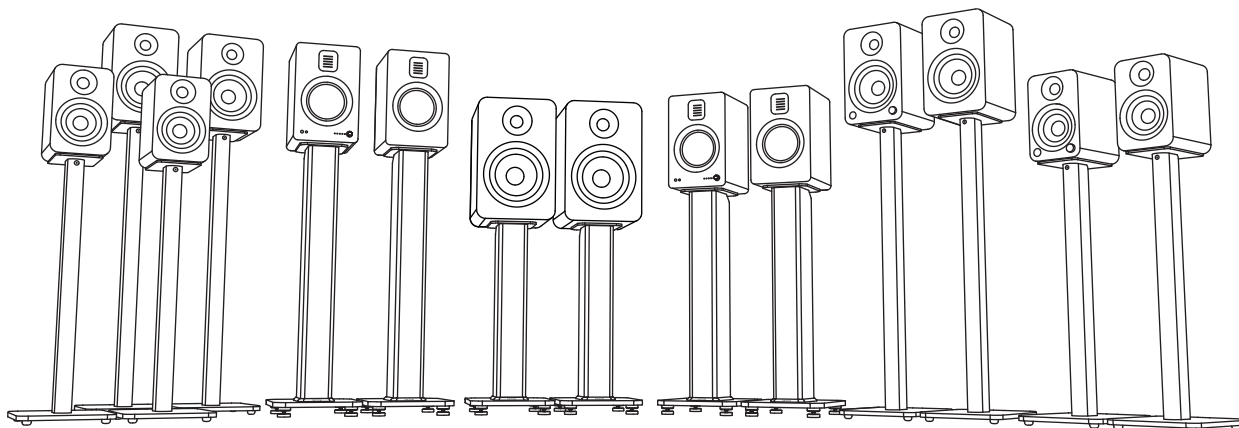
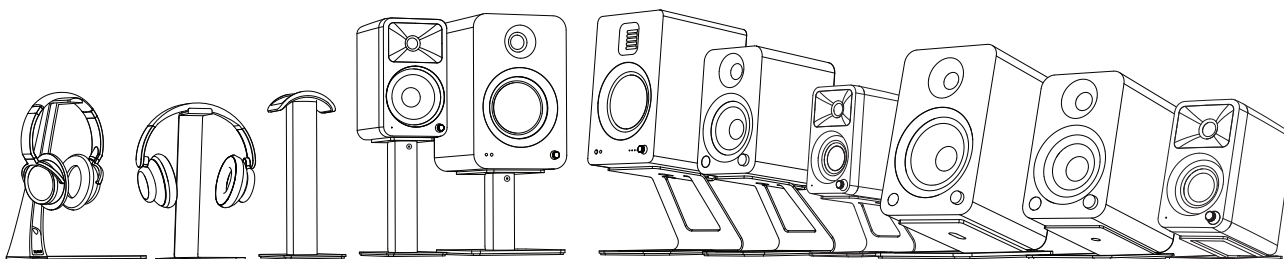
 This equipment is Class II




NOTICE: This appliance is labeled in accordance with European Directive 2012/19/EU concerning waste electrical and electronic equipment (WEEE). This label indicates that this product should not be disposed of with household waste. It should be deposited at an appropriate facility to enable recovery and recycling.

MANUFACTURER AND IMPORTER:
Kanto Living Inc., 9136 196A Street, Langley, BC, Canada V1M 3B4

KANTO



 kantoaudio.com

 [Kanto Audio](#)

 [kantoaudio](#)

 [Kanto Solutions](#)

 [Kanto Living](#)

LIMITED WARRANTY

Kanto Living Inc. (Kanto) warrants the equipment it manufactures to be free from defects in material or workmanship for the limited warranty period of 2 years. This warranty is valid in the country of purchase.

If equipment fails and Kanto is notified within 24 months from the date of purchase with proof of original receipt from an authorized reseller, Kanto will, at its option, provide replacement parts, repair the original equipment, or replace the equipment, and be responsible for return shipping to the customer, provided that the equipment has not been subjected to mechanical, electrical, or other abuse or modifications. Any replacement parts repaired or replaced equipment are covered by the full warranty of the original purchase. The maximum liability of Kanto shall not exceed the actual purchase price paid by the original purchaser for the product.

If you purchased a Kanto product second-hand the limited warranty is fully transferable provided that you can furnish a copy of the original receipt to establish purchase date and the serial number on the product is intact.

Customers will be responsible for obtaining a Return Authorization Number through Customer Support and are responsible for return shipping costs to a Kanto location or authorized depot unless otherwise prohibited. Please keep the original packaging to prevent damage to the product during shipping. Kanto recommends insuring your shipment.

CUSTOMER SUPPORT: support@kantoliving.com

The information in the manual has been carefully checked and is believed to be accurate. However, Kanto assumes no responsibility for any inaccuracies that may be contained in the manual. In no event will Kanto be liable for direct, indirect, special, incidental, or consequential damages resulting from any defect in the equipment, even if advised of the possibility of such damages. This warranty is in lieu of all other warranties expressed or implied, including without limitation, any implied warranty, including any warranty of merchantability and fitness for any particular purpose, all of which are expressly disclaimed.



1-888-848-2643



www.kantoaudio.com



support@kantoliving.com

KANTO