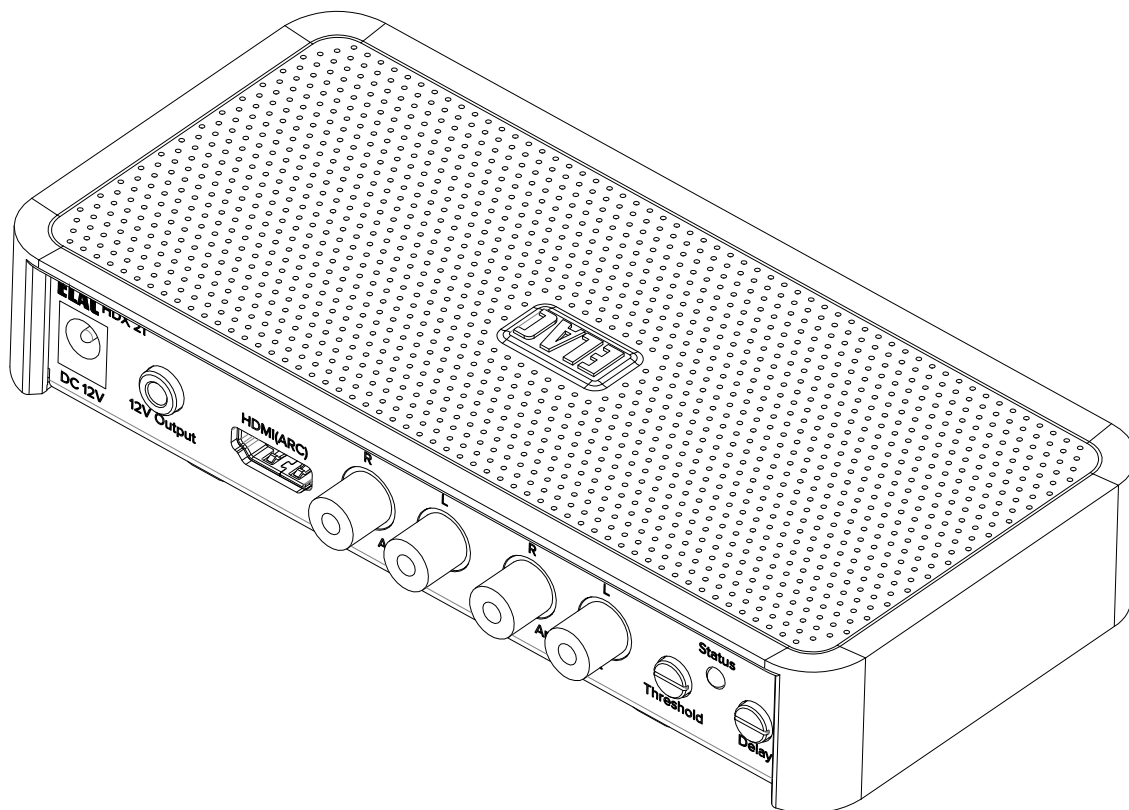


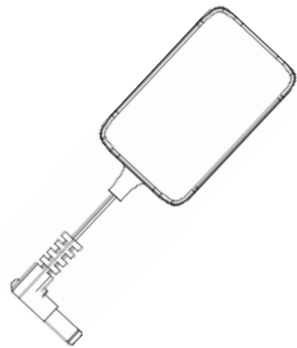
ELAC The life of sound.



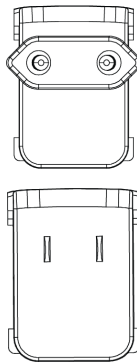
ELAC SOLUTIONS

HDX21

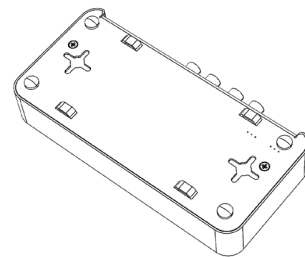
Contents



DC Adaptor

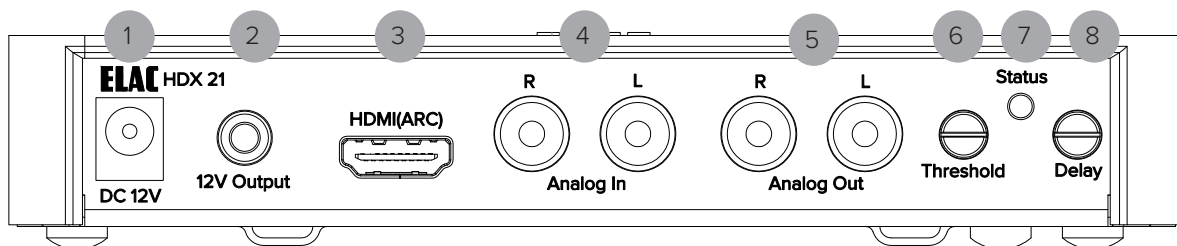


Euro/NA Plugs



Rubber Feet (4)

Controls and Inputs/Output



1. 12 VDC INPUT

2. 12 V Trigger Output

3. HDMI (eARC) input

4. Analog Input

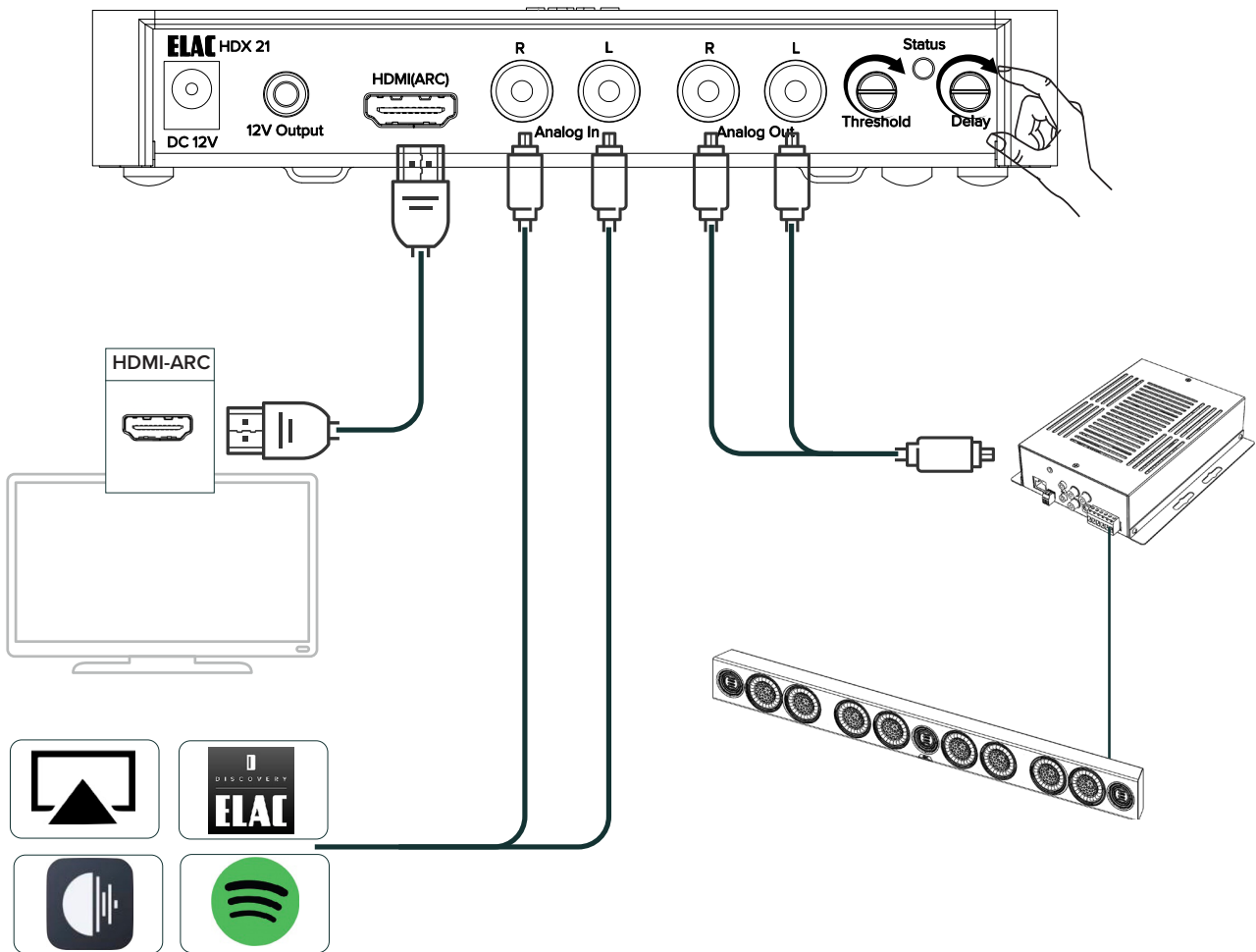
5. Analog Output

6. Threshold Adjustment

7. Status LED

8. Time Delay Adjustment

CONNECTIONS - TELEVISION



HDX21 is an HDMI converter with signal sense and auto switch.

With HDMI (eARC) connected to the TV (eARC) output, HDX21 will play audio on the analog outputs. Your TV remote control's volume, power and mute controls analog output of HDX21 without any additional setup.

Applying a source to analog input, HDX21 will switch from playing HDMI audio to source audio. Stopping or pausing the source - HDX21 will auto switch back to HDMI audio.

The voltage at which it switches can be adjusted by the Threshold Adjustment.
The time it takes to switch can be adjusted by the Time Delay Adjustment.

Threshold Adjustment :

Adjust voltage threshold from 2 to 200 millivolts. Increasing this setting eliminates switching due to noise.

Time Delay :

Adjust time delay from 0.5 to 130 seconds. This is the time it waits before it will switch inputs

12Volt Trigger :

12Volts will be on with either HDMI or analog input are present.

GENERAL INFORMATION

1. General information

- Please read and follow these safety instructions.
- Keep them safe for future reference.
- Observe all warnings on the speaker and in the manual. Please check the speaker for damage before use. The speaker must be in perfect working condition. Damaged parts may lead to personal injury.

2. Use only as directed

- Connect the speaker(s) according to the instructions in the manual.
- Many ELAC speakers are equipped with spikes and/or anti-slip feet. They are explicitly provided for leveling the speaker. For leveling on an uneven floor, unscrew the spikes or anti-slip feet by 2-3 turns of thread. The speaker should always be in perfect vertical alignment: the stability of the speaker must not be compromised by using spikes or anti-slip feet as the speaker may tip-over.

3. Location

- Install the speakers on a level surface only.
- When choosing the location of these speakers do not place them in locations that are:
 - In direct sunlight
 - Very humid
 - Prone to vibrations
 - Exceptionally hot or cold
 - Near CRT Televisions (the speakers are not magnetically shielded and may cause color issues with a CRT based TV).sa
 - Close to magnetic cards (Since the speakers are not magnetically shielded placing magnetic cards such as credit cards or commuter cards may cause them to fail).

4. WARNING!

Please ensure the product is perfectly stable to avoid injury from tip-over. Please note, that stability can be increased by using spikes on carpeted surfaces. However, the mounting of spikes must be carried out carefully due to their very sharp ends which may cause injuries. The stability on slippery floors can be increased by using Velcro fastening tape or double-sided adhesive tape. Do not install the speaker near any heat sources such as radiators, heating valves, stoves, or other apparatus (including amplifiers) that produce heat, or in areas where there is a risk of explosion.

- Do not block any ventilation openings. Install in accordance with the manufacturer's instructions.
- Do not install the speaker in a closed rack or in a closed cupboard.
- Do not put burning candles on or near the speaker.
- Do not install the speaker near transformers because electromagnetic stray fields can cause hum noise on woofers.
- In combination with certain materials / lacquers / material surfaces, anti-slip feet or spike washers may cause colored imprints on the surfaces.

ELAC The life of sound.

ELAC AMERICAS INC.
1938 N. BATAVIA St. SUITE K
ORANGE, CA 92865

ELAC ELECTROACUSTIC GMBH
FRAUNHOFERSTRASSE 16
D-24118 KIEL, GERMANY