

AUSTRIAN AUDIO

Full Score one Headphone Amplifier



User Manual

Introduction and Safety Instructions



Please read, comprehend, and follow all the instructions in this manual before using the product.

This product is a headphone amplifier made for dedicated musicians, engineers and audiophiles, and we ask you to follow a few guidelines to avoid any risk to your safety, or injury, thereby guaranteeing a hassle-free workflow and maintaining the product in perfect working condition:



- Please do not operate this product for any other than its intended use. Austrian Audio shall not be liable for any damage caused by using the product for anything other than its intended application(s).
- Do not use if the product is defective or if any part (including the power cable) is damaged. If you notice any product damage, please unplug the product immediately and have it checked by a professional service technician.
- Always keep and operate the product in a dry and safe place on an even surface.
- Do not expose the product to excessive heat (e.g., in a parked car).
- Do not cover the amplifier in any way.
- If the product has been exposed to cold temperatures, please allow time for the product to reach an adequate temperature before use (permissible storage-temperature range: -25 °C to 60 °C).
- It's not recommended to operate the amplifier outside the specified operating-temperature range: 0 °C to 55 °C.
- Do not use this product in a wet or in humid environment (below 80% relative humidity, a non-condensing environment).
- Do not drop.
- This equipment is not suitable for use in locations where children are likely to be present.
- Please only clean the product using a soft, dry cloth.
- Never open or disassemble the product due to risk of electric shock; there are no user-serviceable parts inside.
- The headphone-cable length must not exceed 3 m; input cables must not exceed 10 m.
- Always switch the power off and unplug all cables before moving the amplifier.
- Do not remove stickers (if present).
- Please refrain from using more than one headphone adapter on the headphone plugs. Long adapter "towers" can exert unnecessary force onto the socket and may result in damage.
- Please only connect the product to a correctly grounded power socket.
- Please only use the included power cord.
- Unplug the power cord to completely disconnect the device from mains power. The socket outlet shall be easily accessible.



- For indoor use only (Pollution Degree 2).



- This product contains magnets. For pacemaker wearers we recommend to keep a distance of 10cm (4 in.) from the device.



- High sound pressure. To avoid the risk of hearing damage do not listen at high volume levels for long periods.

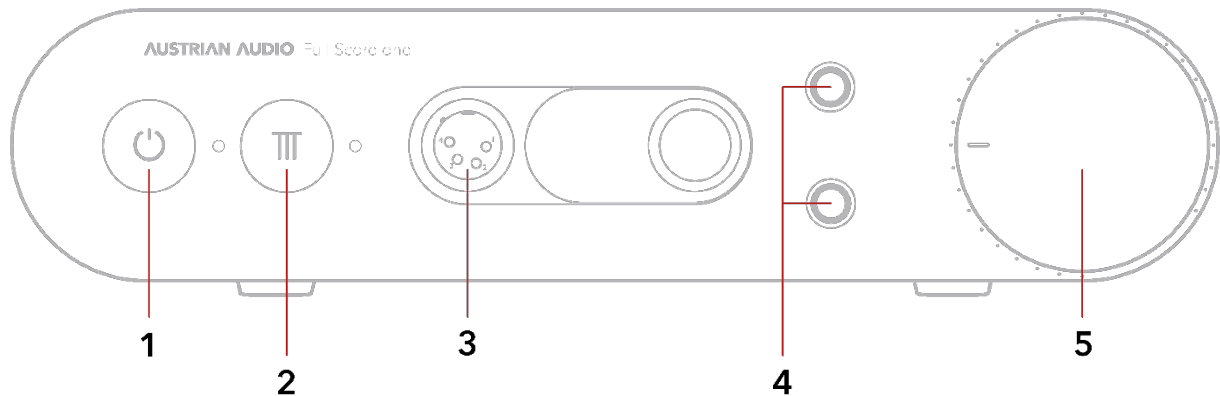
- Additionally, we recommend to always turn down the volume control to its lowest position before power on, switching to new headphones or a new sound source.

Thank you for reading the instructions thus far, and thank you for putting your trust in Austrian Audio.

How to Operate the Full Score one:

Place the *Full Score one* on a safe and even surface. Please ensure that the mains voltage is within the correct range before plugging in the IEC power cord.

Connections



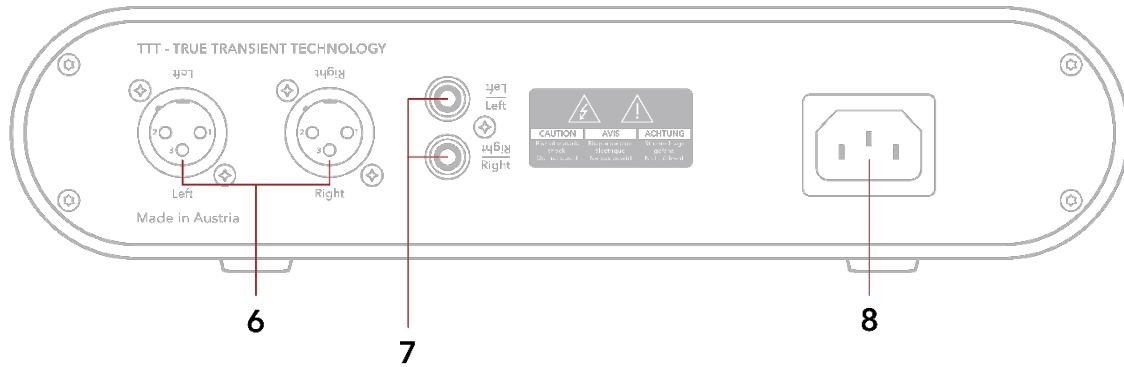
1. **POWER BUTTON:** Set this button to ON in order to power up the amplifier. Before switching the power on, turn the VOLUME control counterclockwise to the lowest position.
2. **TTT BUTTON:** Set this button to ON in order to activate the TTT (True Transient Technology). When activated, the speed of the amplifier is increased; the rise time of the circuit is lowered to a constant value of 0.25 μ s, and the high-frequency THD (Total Harmonic Distortion) figure is lowered.
3. **4-POLE XLR OUTPUT:** Behind the slider, there is a 4-pole XLR connector for the use with balanced headphones. (Pinning: 1: L+ / 2: L GND / 3: R+ / 4: R GND)

The *Austrian Audio Full Score one* uses split grounds for the left and right channel for maximum channel separation of 90 - 60 dB, 1 kHz – 20 kHz with a balanced headphone connection.

4. **2x 6.35 mm JACK OUTPUT:** These are 3-pole TRS connectors for use with unbalanced headphones. (Pinning: T: L+ / R: R+ / S: GND) Both outputs can be used in parallel.

If you use multiple headphones at the same time, please make sure the *Full Score one's* total load impedance does not fall below 10 ohms.

5. **VOLUME CONTROL:** Turn this control knob clockwise to increase the output level.



6. **3-POLE XLR INPUT:** This audio input is connected in parallel with the RCA INPUT. The recommended input voltage is 1 V_{rms}/0 dBV.
7. **RCA INPUT:** This audio input is connected in parallel with the 3-POLE XLR INPUT. The recommended input voltage is 1 V_{rms}/0 dBV.
8. **IEC C14 MAINS POWER INLET:** The *Austrian Audio Full Score one* is compatible with line voltage ranges of 100-120 V~ or 220-240 V~, 50/60 Hz.

Although it will not harm the unit, we recommend only using one set of inputs at a time. Please refrain from leaving non-connected cables attached to the *Full Score one*.

True Transient Technology (TTT):

For optimum performance, we have implemented a circuit (topology) that we call *True Transient Technology*. It preserves the full transient response of your audio signal. If used, even the steepest signal transients stay vibrant, powerful, and clear. Especially the highs and mid-range remain natural and unaltered. To experience our unique technology, push the TTT button – the LED will light up when active. The listener may choose whether to activate this feature dependent on the programme as some audio productions may have been mixed with slower systems in mind.

Product Specifications

inputs	2 x XLR, 2 x RCA, parallel
recommended input voltage	0 dBV, 1 Vrms
min. input impedance, 5 Hz – 20 kHz	100 k Ω , 9 pF effective input capacitance
outputs	2 x 6.35 mm jack, 1 x XLR4
max. output voltage, 5 Hz – 20 kHz	19 dBV, 9 Vrms @ 0,01% THD
recommended max. load, 5 Hz – 20 kHz	10 Ω – 600 Ω , max. 150 nF
THD + N, 5 Hz – 20 kHz	<0.002 %, @ 10 Ω , 1.0 W, measuring bandwidth 90 kHz
THD + N, 1 kHz	0.0005 %, @ 10 Ω , 1.0 W, measuring bandwidth 22 kHz
THD + N, 1 kHz	0.0004 %, @ 22 Ω , 0.4 W, measuring bandwidth 22 kHz
amplification, no load	9.96 dB
volume attenuation	-90 dB
SINAD, 20 kHz bandwidth, 1 kHz	min. 86 dB @ 50 mVrms / 107 dB @ 3Vrms
power bandwidth (-3 dB)	5 Hz – 2 MHz
rise time, constant	0.25 μ s
max. slew rate	200 V/ μ s
min. damping factor, 5Hz – 20 kHz, XLR4	200 @ 8 Ω
self-noise, volume at min., no input	EIN = 136 dB(A) / 1,5 μ Vrms(A)
protection circuits	mains overvoltage, output over current, output DC-Offset detection, over temperature, mains failure
power rating	100-120 V \sim / 220-240 V \sim , 50 / 60 Hz, 10W idle, max. 25W
dimensions	265 mm x 220 mm x 65 mm
weight	2.8 kg (6 lb, 2.7 oz)

Due to technical improvements data may change without further notice.



This product conforms to the standards listed in the Declaration of Conformity which can be found at: <https://austrian.audio/fullscoreone>



When the product reaches the end of its life, separate the housing, electronics and cables and dispose of all components in accordance with local waste disposal regulations!

Made in Austria

Copyright Austrian Audio 2024.

All rights reserved by
Austrian Audio GmbH
Eitnergasse 15
1230 Vienna