

Read this operation manual carefully before use, and keep it handy for future reference.

The MP cartridge power generation mechanism, an IM type, is that the magnet outside the vibrating system magnetizes the vibrator.

The set magnet selected among the world proven audio parts uses samarium cobalt magnet that produces the extremely strong magnetic force, and the vibrator uses a pipe of super permalloy that features high permeability.

These compact contribute to low distortion in the wide range.

Also, the pole piece cylinder uses carbon fiber reinforced plastic to prevent electrostatic noise and to get high strength. And the shield case is made of super permalloy. These help to control unnecessary resonance and maintain high SN ratio.

● Precautions when using

This cartridge is factory-adjusted with great precision. Be careful not to drop it or touch the stylus tip. Keep the stylus tip and the disc grooves free of dirt, dust etc.

Playing a disc with foreign matter causes damage to the stylus tip and the disc grooves.

Carefully remove any dust on the stylus tip with a soft brush, using strokes from behind the stylus tip toward the front.

Recommended stylus tip cleaner: High-clean #801/2, sold separately.

● Precautions when installing

Securely install the cartridge on the head shell to prevent resonance. Make sure the lead wires are correctly and securely connected. Do not attempt to solder the connections as doing so may cause disconnections and other failures.

● Stylus pressure adjustment

Maintain the stylus pressure within the range specified. The stylus pressure is for an ambient temperature of 20°C.

For lower temperatures, set the stylus pressure a little heavier. For details about adjusting stylus pressure, refer to the operation manual of the record player or the tone arm.

● Stylus replacement interval

The stylus replacement interval depends on actual usage. For general home-use, the stylus wears after 150 to 200 hours and will begin to affect the sound quality. Replace the stylus as early as possible to enjoy the best possible sound quality and prevent damage to the disc grooves.

Refer to the specifications for the replacement stylus.

To care for your disc and stylus, refer to the website : <https://www.nagaoka.co.jp/item/>
For repairs and product handling information, contact the dealer where you purchased this product.

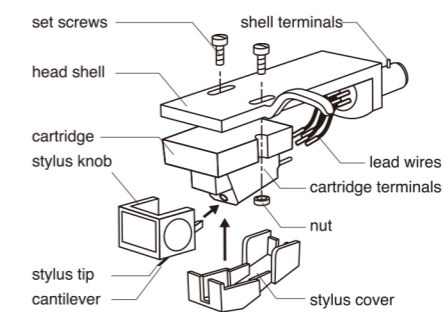
● Specifications

	MP-500·MP-500H	MP-300·MP-300H	MP-200·MP-200H
Output voltage	3 mV (5cm/sec)	3 mV (5cm/sec)	4 mV (5cm/sec)
Frequency characteristic	20-25,000 Hz	20-25,000 Hz	20-23,000 Hz
Channel separation	27dB (1 KHz)	25dB (1 KHz)	25dB(1 KHz)
Channel balance	1.0 dB or less	1.0 dB or less	1.5 dB or less
Load resistance	47 KΩ	47 KΩ	47 KΩ
Cantilever	Boron	Boron	Boron
Stylus tip	Line contact diamond	0.4 × 0.7mil elliptical diamond	0.4 × 0.7mil elliptical diamond
Stylus pressure	1.3-1.8 g	1.3-1.8 g	1.5-2.0 g
Cartridge' s weight	7.8 g	7.8 g	6.5 g
Weight with head shell	26.1 g	26.1 g	16.5 g
Replacement stylus	JN-P500	JN-P300	JN-P200

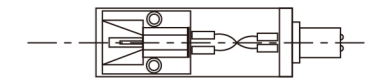
	MP-150·MP-150H	MP-110·MP-110H	MP-100·MP-100H
Output voltage	4.5 mV (5cm/sec)	5 mV (5cm/sec)	5 mV (5cm/sec)
Frequency characteristic	20-20,000 Hz	20-20,000 Hz	20-20,000 Hz
Channel separation	24 dB (1 KHz)	23 dB (1 KHz)	22 dB (1 KHz)
Channel balance	1.5 dB or less	1.5 dB or less	2 dB or less
Load resistance	47 KΩ	47 KΩ	47 KΩ
Cantilever	Hardening taper aluminum alloy	Aluminum alloy	Aluminum alloy
Stylus tip	0.4 × 0.7mil elliptical diamond	0.4 × 0.7mil elliptical bonded diamond	0.6mil conical bonded diamond
Stylus pressure	1.5-2.0 g	1.5-2.0 g	1.8-2.3 g
Cartridge' s weight	6.5 g	6.5 g	6.5 g
Weight with head shell	16.5 g	16.5 g	16.5 g
Replacement stylus	JN-P150	JN-P110	JN-P100

● Installing the cartridge

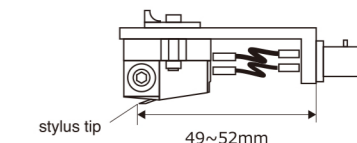
To protect the stylus tip during installation, remove the stylus and the stylus cover in advance.



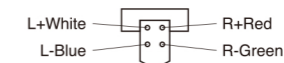
Make sure to insert the cartridge straight and not skewed.



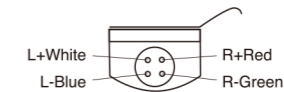
Adjust the overhang properly by referring to the operation manual for the record player.



Connect the lead wires to the cartridge terminals by matching symbols and colors.



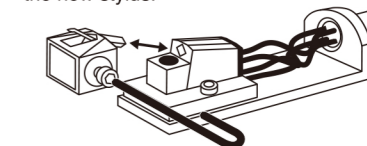
Rear view of cartridge



Face of cartridge

● Replacing the stylus

1. Turn off the amplifier and the record player.
2. Set the tone arm on the arm rest, and remove the head shell with the cartridge.
3. Slowly remove the stylus first and then install the new stylus.



For MP-300/500, use the accessory hex wrench to replace the stylus. Fit the hex wrench on the screw on the side of the stylus knob as shown and turn it counterclockwise to remove the screw and the stylus. To install the new stylus reverse the removal procedure.