

Table of Contents

Getting Started, *4*

Download the Bang & Olufsen app, *5*

Daily Use, *6*

Favourites, *7*

Multiroom, *8*

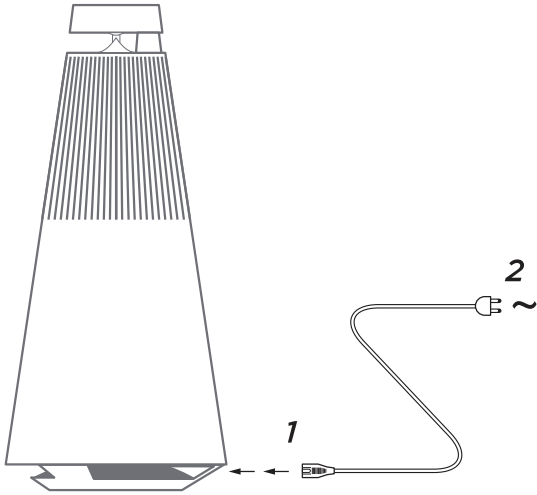
Set Up Stereo Speakers, *9*

Light Indicators, *10*

Buttons and Connections, *11*

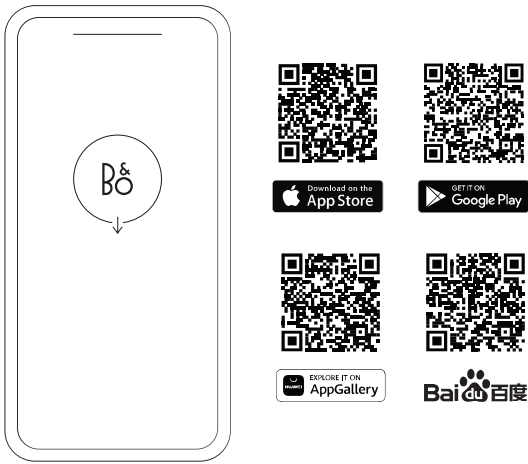
Factory Reset and Wi-Fi Setup, *12*

GETTING STARTED



Unpack Beosound 2, connect it to the mains with the enclosed power cord and place it in its position. Wait up to two minutes to allow it to start and boot all necessary services.

DOWNLOAD THE BANG & OLUFSEN APP



To set up your product and get the full Bang & Olufsen experience, download the Bang & Olufsen app. You can personalise your experience and access new features and product support from this app.

When you open the Bang & Olufsen app, you will be asked to create a user account. Once logged in, tap + to set up the new speaker.

Software update

By default, Beosound 2 is set up for automatic software updates. Updates are carried out at night, if the product is connected to the mains and the Internet. We recommend this setting to ensure that your speaker always has the latest features and improvements

The setting can be changed in the Bang & Olufsen app.

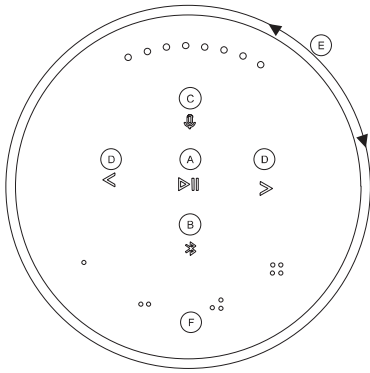
When the software is updating, the \gg indicator will flash green. The update will take up to 10 minutes to complete.

ACTIVE ROOM COMPENSATION

Beosound 2 features Active Room Compensation. It is a feature optimising the sound performance to the speaker's placement in the room. We recommend running Active Room Compensation each time the speaker is moved. It is accessed from the Bang & Olufsen app.

DAILY USE

Start playback – open your Bang & Olufsen app to start streaming, or press ▶|| to start playback of the last played integrated source.



The proximity sensors in Beosound 2 will detect when your hand approaches the speaker, and the buttons will light up.

Play/pause music – Press ▶|| (A).

Join – Press and hold ▶|| (A) for two seconds to join in on another listening experience in a Beolink Multiroom setup.

Bluetooth pairing – Press and hold ⌘ (B) for two seconds. When it starts flashing blue, turn on Bluetooth on your smartphone and select “Beosound 2 3rd Generation” in the menu.

Mute/unmute microphone – Press and hold ⏏ (C) for two seconds

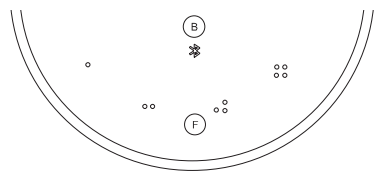
Previous and next track or radio station – Press <> (D).

Volume control – Turn the top ring (E) clockwise to increase volume and counter-clockwise to lower volume. Light indicators on the front will show the volume level.

Favourites – There are four favourite buttons, ○, ○○, ○○○, ○○○○ (F) for one-touch access to your preferred sources.

FAVOURITES

Beosound 2 has four favourite buttons, providing one-touch access to e.g., your preferred Bang & Olufsen radio station or Spotify playlist.



When your speaker is set up through the Bang & Olufsen app, the favourite buttons will automatically add the four most popular radio stations in your location. You can change to your preferred favourites using the app. Start playback with a single touch.

MULTIROOM



Use the Bang & Olufsen app to add compatible speakers to create a Beolink Multiroom group and play your music simultaneously in different rooms. Alternatively, stream to more speakers using AirPlay 2 or Chromecast.

Join or start playback in a Beolink Multiroom setup by pressing and holding \triangleright for two seconds until you hear audible feedback.

SET UP STEREO SPEAKERS

Beosound 2 can be set up as a stereo speaker playing either the left or right channel. You need two same-generation Beosound 2.

Once you have carried out the first-time setup for each of the two Beosound 2 speakers, select stereo pairing in the Bang & Olufsen app under Sound Settings and follow the procedure. Await audible feedback.



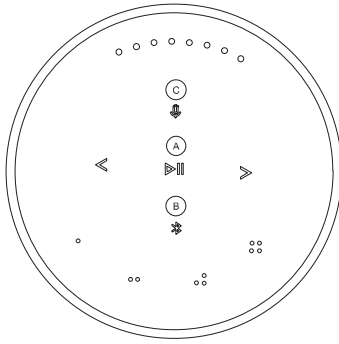
Left channel



Right channel

Once stereo pairing is carried out, the two products merge into one.

LIGHT INDICATORS

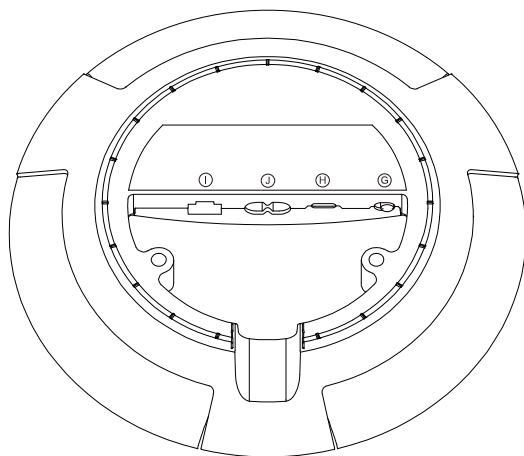


A - Product indicator	Meaning
White dimmed	Standby
White flashing	Product is starting up
Amber flashing	Ready for network setup
Amber pulsing	Connecting to network
Amber	No network connection
Green pulsing	Software update in progress

B - Bluetooth indicator	
Blue solid	Bluetooth pairing complete
Blue pulsing	Open for Bluetooth pairing

C - Microphone indicator	
Red	Microphone muted
White	Microphone on
Off	Microphone off (switch in the connection panel)

BUTTONS AND CONNECTIONS



G: Slider to switch on/off microphone.

H: USB-C for service or connection of external audio sources, using the enclosed mini-jack adaptor.

J: Power connection for enclosed mains cable.

I: Ethernet socket for wired network connection

FACTORY RESET & WI-FI SETUP



You can restore factory settings by pressing and holding <> simultaneously and awaiting audible feedback - keep holding for eight seconds until you hear the second audible feedback, Beosound 2 is now factory reset, and you can start first-time setup.

The speaker enters Wi-Fi setup mode when pressing and holding <> for three seconds, and setup can be completed in the Bang & Olufsen app. The product indicator turns solid white when the setup is complete.