

# NU-VISTA

## SERIES

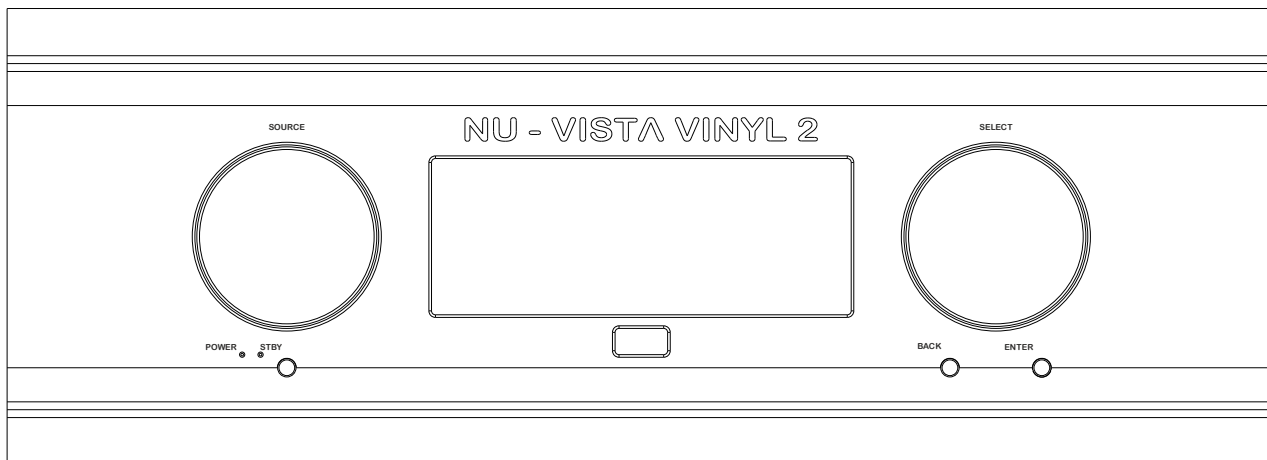
*by*

# MUSICAL FIDELITY

DESIGNED IN ENGLAND

## Installation Guide

# NU - VISTA



## Instructions for use

*Thank you for purchasing the Nu-Vista Vinyl 2 by Musical Fidelity. Based on our excellent nuvistor tube technology, we decided to go all out “fully balanced” on the Nu-Vista range.*

*The Nu-Vista Vinyl 2 is the new flagship of Musical Fidelity phono preamplifiers, an ultra-high performance, highly accurate phono MM/MC phono preamplifier in beautifully designed and executed massive casework. We set out to make a phono stage without any practical limits. It’s designed in such a way to ensure you cannot overload the input stage or encounter any practical limitations in the output driving capacity. Its purpose is singular, to be a conduit for music. It exists to faithfully convey the artist’s intent, their emotions, the passion*

*Compared to its predecessor, the Nu-Vista Vinyl, the Vinyl 2 now features entirely discrete and fully balanced audio circuitry on the inside. Read more in the introduction on page 6.*

*Very large ranges from 40dB (voltage amplification by 100x) up to 69dB (voltage amplification by 3690x) are possible. The gain is cleanly switched using signal relays and you can see the big increase in amplification is why a phono preamp must be incredibly silent (a fully balanced design makes a big difference here) to handle amplification levels this high.*

*Input capacitance and impedance are switched by using JFET transistors. A costly, yet technically extremely sophisticated implementation, it allows the Nu-Vista Vinyl 2 to be matched with any cartridges and perfectly integrate it into the rest of your HiFi system.*

*The Nu-Vista Vinyl 2 displays our continued development of our Super Silent Power Transformers. Industrial grade power sockets with EMI filter and DC blocker stop interferences and eliminate transformer hum. The encapsulated toroidal transformer is purpose designed for delicate phono signals with low core saturation and extremely low electromagnetic radiation. Each discrete amp stage has a DC servo ensuring optimal DC mode. The preamplifier is powered by two high-quality symmetrical low-noise power supplies, one for each channel. All the fully balanced Nuvistor PSUs are passively filtered and regulated. If we are working with the few hundreds of microvolts from a phono cartridge, everything is playing its role; every decibel of signal to noise ratio is crucially important.*

*Optionally, the Nu-Vista Vinyl 2 can be powered by the Nu-Vista Uni PSU (set to be released in 2024). This will achieve better noise performance, by moving the AC mains power supply from the main unit and build it into another matching box. We are taking advantage of the extra space to set up mains and output filtering a step above what is usually possible in one-box-solutions.*

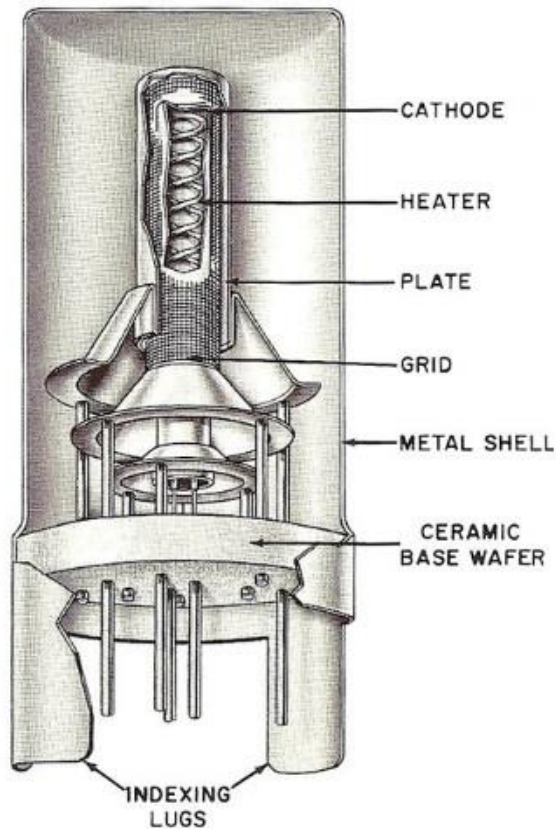
*Also included is the Nu-Vista remote control which is a solid “Nu-Vista” style re-imagination of usual remote controls. Machined from solid, it has the same feel as the front panel of the unit, has a powerful beam, and runs off easily replaceable AAA batteries.*

*Used properly and carefully, it should give many years of outstanding musical reproduction. Dust regularly with a soft duster or soft brush, but be careful when using cleaning or polishing agents - they may harm the surface finish.*

*If there are any questions about the audio system, please consult the dealer, who is there to help and advise.*

## CUTAWAY VIEWS

Showing Cylindrical Electrodes and Tripod-Like Supports



Typical  
Single-Ended  
Nuvistor Triode

*\* UK English "valve" mentioned hereafter, refers to the 'electron valve' kind, also known as electron "tube" in other parts of the world.*

**Section  
Page**

<b>Safety Information</b>	– Mains plug (UK only), modification warning	4
<b>General advice</b>	– Installation precautions	5
<b>Installation</b>	– Introduction, cleaning, installation, power connections, audio connections, spike feet	6
<b>Facilities and connections</b>	– Illustrations, front & rear panels	8
<b>Remote control handset</b>	– Operation and illustration	9
<b>Operation</b>	– Starting – Menu Navigation – Menu View – Nuvistor LED Indicator Line – Input – Subsonic Filter – Equalization Curve – MM/MC Selection – Gain – Load – Tips on setting Gain and Load – System Settings	10
<b>Problems?</b>	– Troubleshooting	13
<b>Specifications</b>	– Product specifications	14
<b>Manual history</b>		
<b>Item disposal information</b>		15

**IMPORTANT! (U.K. only)**

This unit is supplied in the U.K. with mains lead fitted with a moulded 13 amp plug. If, for any reason, it is necessary to remove the plug, please remove the fuse holder and dispose of the plug safely, out of reach of children.


**It must not be plugged into a mains outlet.**

The wires in the mains lead supplied with this appliance are coloured in accordance with the following code:

<b>Green and yellow .....</b>	<b>Earth</b>
<b>Blue .....</b>	<b>Neutral</b>
<b>Brown.....</b>	<b>Live</b>

**WARNING – This appliance MUST be earthed**

As the colours of the wires of the mains lead of this appliance may not correspond with the coloured markings identifying the terminals in the plug, proceed as follows:

- The wire which is coloured green-and-yellow must be connected to the terminal in the plug which is marked with the letter E or coloured green or green-and-yellow, or by the earth symbol: 
- The wire which is coloured brown must be connected to the terminal which is marked with the letter L or coloured red.
- The wire which is coloured blue must be connected to the terminal which is marked with the letter N or coloured black.
- If connecting to a BS1363 plug, a 13 amp fuse must be used.

**WARNING:**

**ANY MODIFICATIONS TO THIS PRODUCT NOT EXPRESSLY APPROVED BY MUSICAL FIDELITY WHO IS THE PARTY RESPONSIBLE FOR STANDARDS COMPLIANCE COULD VOID THE USER'S AUTHORITY TO OPERATE THIS EQUIPMENT.**

### Installation, Precautions & User Information

This new Nu-Vista Vinyl 2 is designed and built to provide trouble-free performance, but as with all electronic devices it is necessary to observe a few precautions:

- Heed all warnings shown on the back of the product.
- Only connect the Nu-Vista Vinyl 2 to a mains outlet having the same voltage as marked at the back of the unit.
- Always ensure that when disconnecting and reconnecting your audio equipment the mains supply is switched off.
- Position the mains lead and signal interconnects where they are not likely to be walked on or trapped by items placed on them.
- Do not use near water, or place water-filled containers on the Nu-Vista Vinyl 2, for example, a flower vase or potted plants. **If water does spill inside, immediately pull out the mains plug from the wall socket and inform your dealer, who should then check the unit before further use. Entry of liquid into the Nu-Vista Vinyl 2 is dangerous, and may cause electric shock or fire hazard.**
- Do not place the unit near direct heat sources such as radiators, direct sunlight or other equipment.
- Do not remove any covers or try to gain access to the inside. There are no internal adjustments or fuses you can replace yourself. Refer all service work to an authorised Musical Fidelity agent.  
**\* Note: Unauthorised opening of the equipment will invalidate any warranty claim.**
- Dust regularly with a soft cloth or soft brush but be careful when using cleaning or polishing agents - they may harm the surface finish.

The electronics in modern hi-fi equipment is complex and may, therefore, be adversely affected or damaged by lightning. For protection of the audio system during electrical storms, remove the mains plugs.

If after-sales service is required, to help the dealer identify the Nu-Vista Vinyl 2 please quote the serial number located on the rear panel of the unit.

## Introduction

Congratulations on the purchase of the new Nu-Vista Vinyl 2 phono-preamplifier. Great attention has been paid to internal layout, isolating each circuit section to prevent possible interaction. The unit features a finely tuned and tweaked Nu-Vista valve design, for smooth sound coupled with low noise and virtually no distortion. The Nu-Vista Vinyl 2 features entirely discrete and fully balanced audio circuitry on the inside. The phono pre-amplification contains three gain stages in fully Class A discrete transistor circuitry. The EQ stage doesn't cut any corners either. Completely passive and in two separate stages (split-passive) - this is more costly to design and implement but ensures the most accurate representation of the ideal EQ curve. Split passive equalization allows for better impedance matching and lower deviation from the ideal EQ. In addition to the standard RIAA curve, we have implemented the two less common DECCA and COLUMBIA curves as well. RCA and XLR outputs both have their own individual stages allowing you to use them simultaneously.

## Cleaning

Before cleaning the unit, switch off power at the mains switch and remove the mains plug from the wall socket. Clean the cabinets using a moist cloth. Using solvents, white spirit or thinners is not advised, as they could damage the surface finish.

## Setting up

Position the Nu-Vista Vinyl 2 on a stable, horizontal surface where there is no risk of it being knocked. Make sure ALL units involved are switched off and unplugged from mains supply before making or removing any connections.

### Important note:

**During normal operation, the unit dissipates an appreciable quantity of power at all times, and it is important that it is well ventilated. The top and bottom are perforated to allow the smooth flow of heat through the unit. However, the unit must not be enclosed in a cabinet or placed where the ventilation holes are impeded as this could result in excessive heat build-up.**

**The Nu-Vista Vinyl 2 must be protected from humidity – if the unit is moved from a cold place to a warm room, leave the unit for an hour or so to allow sufficient time for the moisture to evaporate.**

## Power Connections

The Nu-Vista Vinyl 2 is supplied with a standard IEC mains cable which plugs into the IEC socket at the back of the unit.

Upgrade power connection:

Optionally, the Nu-Vista Vinyl 2 can be powered by the Nu-Vista Uni PSU (set to be released in 2024) via the PSU RH Power, LH Power and Control connections. Please refer to the Nu-Vista Uni PSU manual for details.

## Audio Connections

**Inputs:** The Nu-Vista Vinyl 2 has two single ended (RCA) line level and two balanced (XLR) phono inputs. Choose the desired input to be used:

### Unbalanced RCA Phono Inputs:

Connect turntables with RCA outputs to the relevant phono inputs (see page 8 for more information). Use good quality fully connected (signal and ground) phono cables for all RCA signal connections. Take care with positioning all input leads, try to ensure that they are well shielded and kept as far away from mains and speaker leads as possible. Connect the earth wire to the ground terminal.

### Balanced XLR Phono Inputs:

Connect turntables with XLR outputs to the relevant phono inputs using good quality XLR balanced leads. Recommended lead wiring is shown on page 7. If your turntable with balanced phono output also has an earth wire, connect it to the ground terminal too. If not, just connect the XLR cables.

**Outputs:** The Nu-Vista Vinyl 2 has a single ended RCA line level and a balanced XLR line level output. Both can be used simultaneously.

# NU - VISTA VINYL 2

**RCA audio output:** Use a good quality RCA phono audio cables (fully connected signal and ground), for optimum signal transfer.

**XLR audio output:** Use good quality XLR audio cables (fully connected hot and cold signals and ground), for absolute optimum signal transfer.

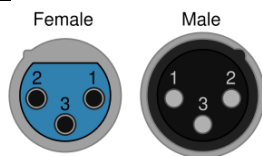
## **Mounting optional Spike Feet**

The Nu-Vista Vinyl 2 can optionally be used with spike feet. We recommend to ask a second person to help you lift the Nu-Vista Vinyl 2 for mounting the feet or felt pads.

If you want to use the standard mounted feet, you can attach the big felt pads to those feet (remove the small rubber feet first if necessary).

To mount the spike feet, screw the threaded rods into the spike feet so that the allen key side is inside the foot (this way, when you want to remove the foot from the amplifier again, you can unscrew the foot and then unscrew the threaded rod from the amplifier with an allen key, should it be too tight to unscrew by hand). Then screw the feet into the amplifier (remove the small rubber feet first if necessary). Attach the small felt pads to the bottom of the spike feet cups and place these cups under the spike feet.

## **XLR Balanced input and output lead connections:**



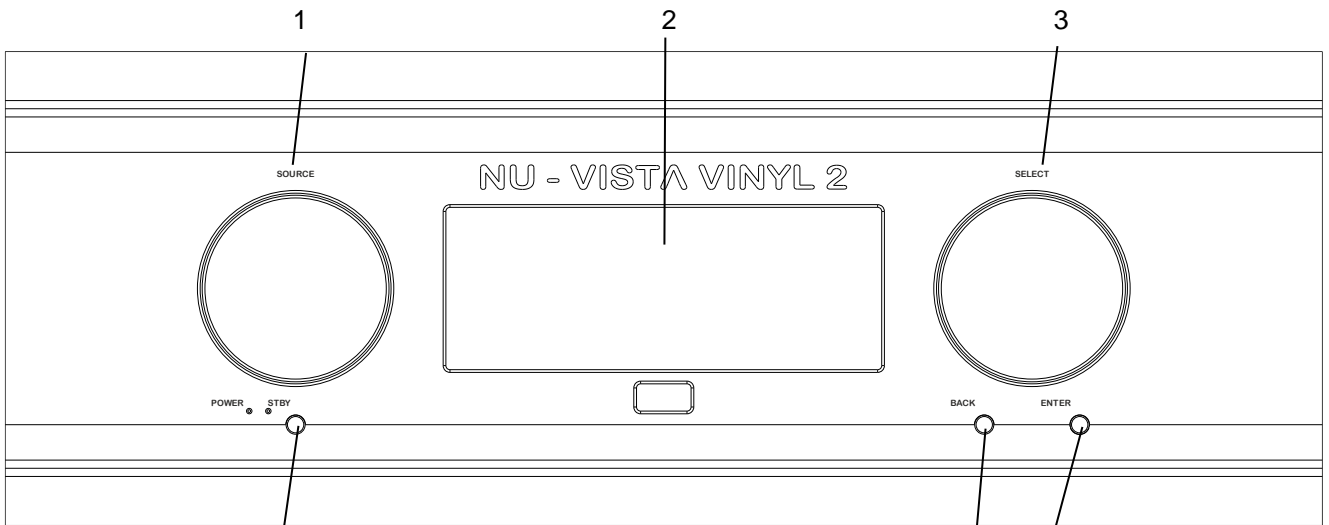
(for reference, no XLR signal leads supplied)

## **Pin functions:**

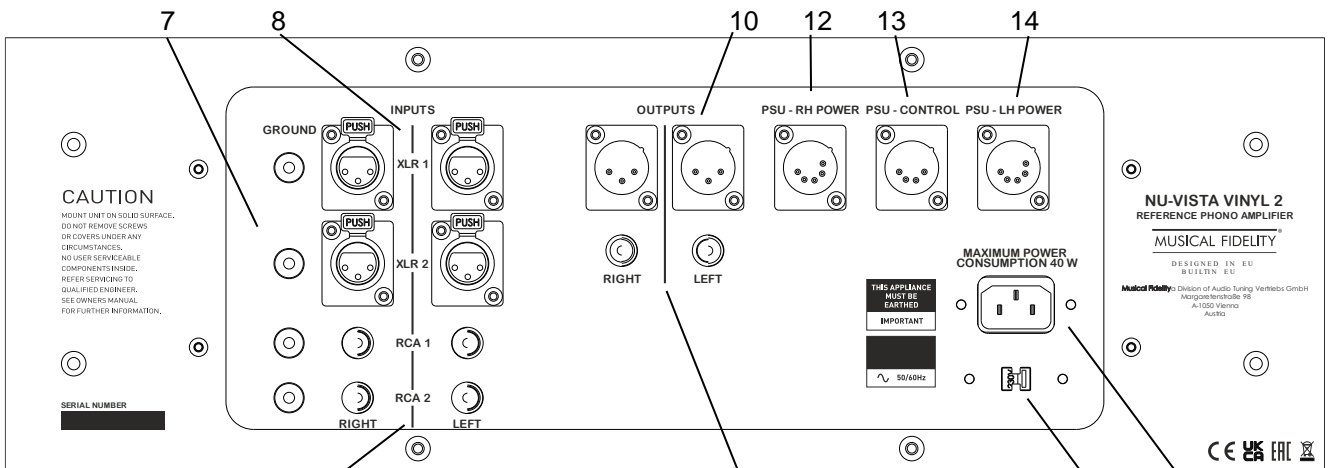
- |   |                                   |
|---|-----------------------------------|
| 1 | Ground (cable shield)             |
| 2 | Normal polarity ("hot" or "+")    |
| 3 | Inverted polarity ("cold" or "-") |



# NU - VISTA VINYL 2 FACILITIES & CONNECTIONS



- |                         |                                 |
|-------------------------|---------------------------------|
| 1 <b>INPUT selector</b> | 4 <b>POWER / STANDBY button</b> |
| 2 <b>DISPLAY</b>        | 5 <b>BACK button</b>            |
| 3 <b>Menu selector</b>  | 6 <b>ENTER button</b>           |



- |  |   |
|--|---|
| 7 <b>GROUND TERMINALS</b> for each input | 12 <b>PSU – RH POWER</b> optional power input |
| 8 <b>XLR BALANCED</b> inputs             | 13 <b>PSU – CONTROL</b> optional power input  |
| 9 <b>RCA SINGLE ENDED</b> inputs         | 14 <b>PSU – LH POWER</b> optional power input |
| 10 <b>XLR BALANCED</b> output            | 15 <b>230/120V</b> selector                   |
| 11 <b>RCA SINGLE ENDED</b> output        | 16 <b>MAINS IEC</b> socket                    |

# NU - VISTA VINYL 2

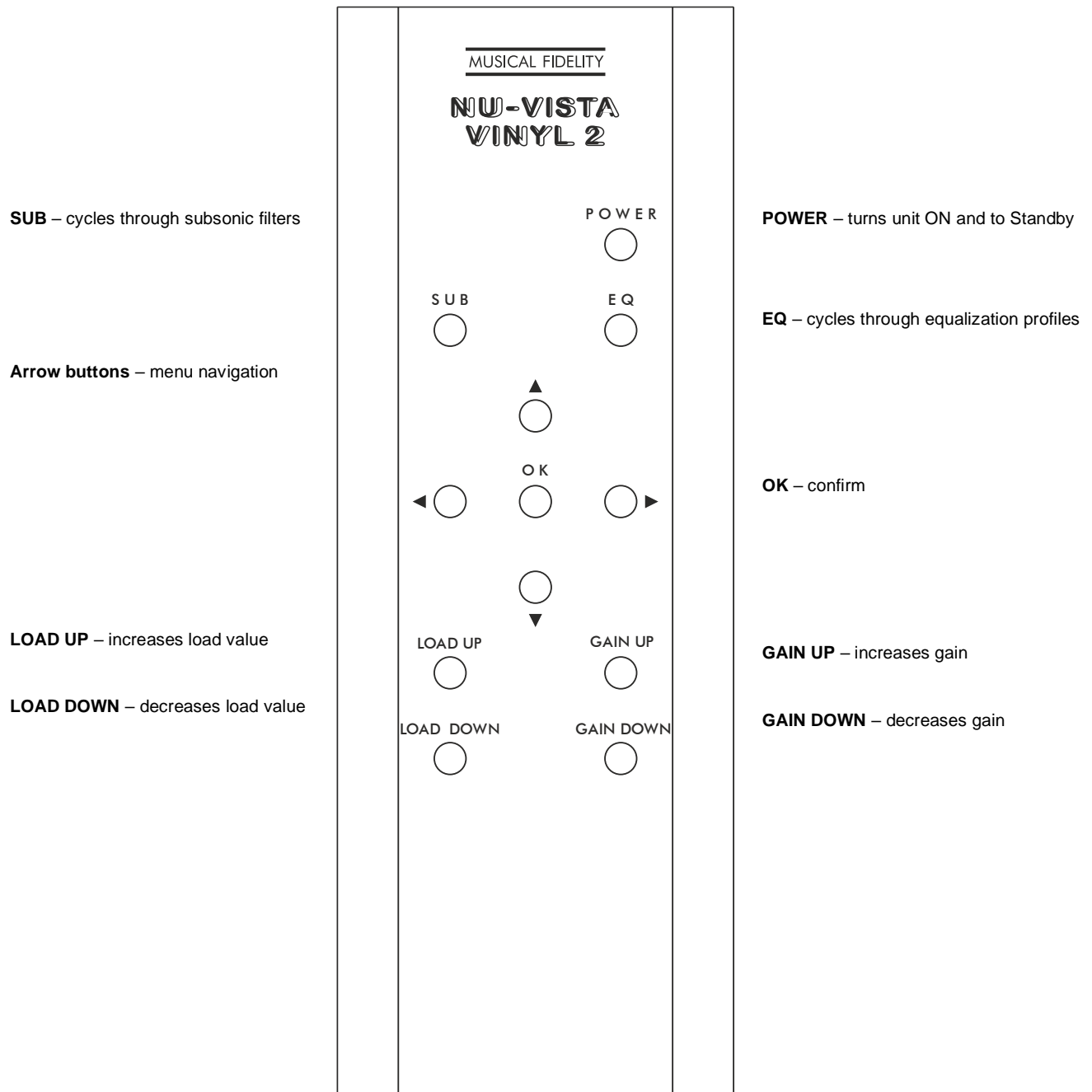
The universal remote control shown below enables functions from this and related units to be operated from a convenient distance.

Equivalent buttons on the remote control have the same functions as those on the front panel of the unit. Other functions are only available by remote control.

As the handset uses an invisible infra-red light beam, the front edge must be pointed directly towards the receiver window at the front of the player, without visual obstruction between them.

If the range of the remote control greatly decreases, replace the batteries with new ones. Do not mix old and new batteries – two are required, size AAA, LR03 or SUM-4.

**Please dispose of used batteries in accordance to local regulations.**



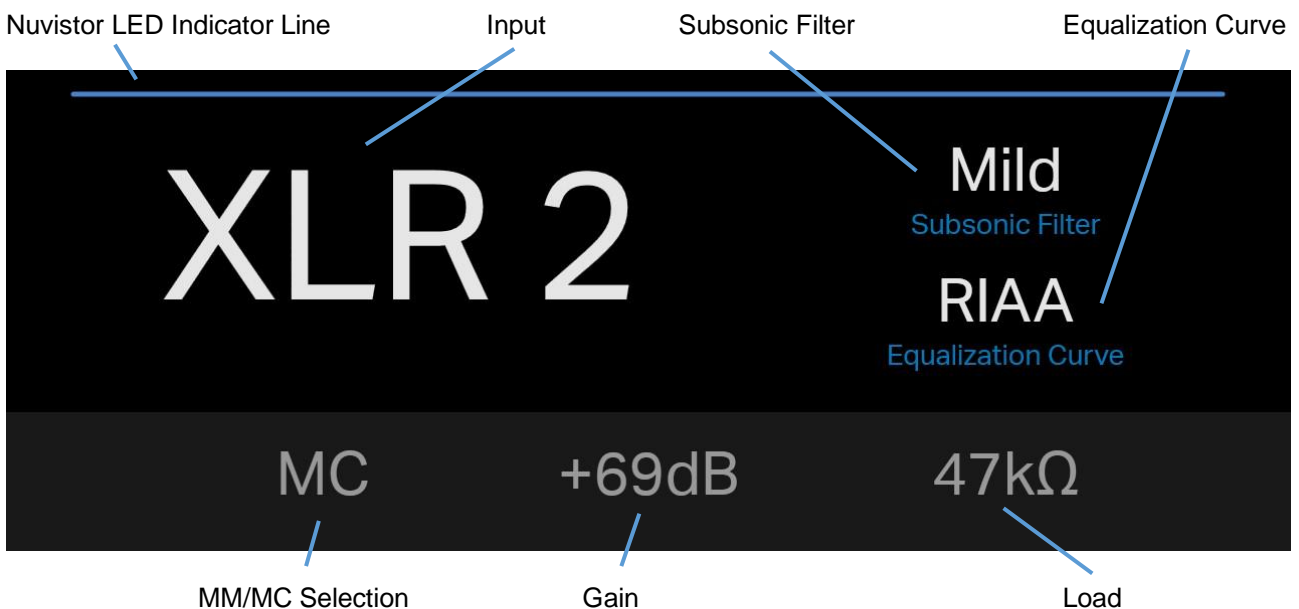
## Starting

Once the Nu-Vista Vinyl 2 unit is correctly wired up, and plugged into mains, the **Standby LED** will light up. In this mode the Nu-Vista Vinyl 2 is consuming a minimal amount of power. To switch the unit on, press the **Power button (4)** on the front of the unit or the remote control. The display will now light up and the **POWER LED** will light up. The LEDs illuminating the Nuvistor valves will light up **RED**. This means the outputs are muted, and will remain in this state for about 12 seconds, so no sound will be heard. Once the delay is up, these LEDs go **ORANGE**, indicating the unit is ready for use, and any source material selected and playing will be heard. For the first 15 mins or so, the Nu-Vista valves are still warming up, and their LEDs stay **ORANGE**. After approx. 20 mins the valves will have reached full thermal equilibrium and are at their best performance, which is indicated by their LEDs turning **BLUE**.

## Menu Navigation

Enter the menu by pressing Enter **6** or the up/down/right arrow button on the remote. Use the Back **5** and Enter **6** buttons to enter sub-menus or go a step back. On the remote this is done with the left and right arrow buttons. Confirm your setting with the Enter **6** button or the OK button on the remote. After 10 seconds of inactivity, the screen switches back to the main view.

## Main View



## Nuvistor LED Indicator Line

Indicates that device Nuvistor tube LED's are on. The blue LED's can be turned on and off by holding the Back **5** button for 2 seconds. If the blue LED's are turned off, the blue top line is not displayed.

## Input

Displays the selected input. Switch through the inputs by rotating the **INPUT** selector **1**. Using the remote you can select the input in the menu screen **Inputs**.

## Subsonic Filter

Displays the selected subsonic filter. Three settings are available:

- Disabled: no subsonic filter active
- Mild: according to IEC specification
- Standard: cutoff at 20Hz with 18dB/octave

# NU - VISTA VINYL 2

The subsonic filter can be selected in the menu screens **Audio Settings -> Subsonic Filter** or by pressing the **SUB** button on the remote.

## Equalization Curve

Displays the selected EQ. Three curves are available:

- RIAA
- DECCA
- COLUMBIA

The equalization curve can be selected in the menu screens **Audio Settings -> Equalization Curve** or by pressing the **EQ** button on the remote.

The type of vinyl record dictates which EQ setting should be used. RIAA is most commonly found. DECCA or COLUMBIA records usually have this printed somewhere on their label. If you don't find anything, go with the RIAA setting.

## MM/MC Selection

Displays the selected cartridge type. Select the cartridge type that you are using in the menu screens **Cartridge Settings -> Cartridge Type**. The selected cartridge type dictates which loading and gain options become available. The MM setting gives you access to loading and gain settings that are relevant for MM cartridges. The MC setting gives you access to loading and gain settings that are relevant for MC cartridges.

## Gain

Displays the selected gain setting. The gain setting tells you how much your cartridge's signal is amplified and is measured in dB. Select the gain setting in the menu screens **Audio Settings -> Gain** or by pressing the **GAIN UP** and **GAIN DOWN** buttons on the remote.

MM gain settings: 40dB, 43dB, 46dB, 49dB

MC gain settings: 60dB, 63dB, 66dB, 69dB

## Load

Displays the selected cartridge load setting. As a starting point, this setting should be set according to cartridge manufacturer's recommendation, but can and should be experimented with afterwards. Select the load setting in the menu screens **Cartridge Settings -> Cartridge Loading** or by pressing the **LOAD UP** and **LOAD DOWN** buttons on the remote.

MM load settings: 50, 100, 150, 200, 250, 300, 350, 400 pF

MC load settings: 5, 10, 25, 50, 100, 400, 800, 1k, 47k ohms

## Tips on setting Gain and Load

For setting the various gain and loading characteristics, the cartridge manufacturer's data sheets or setup information should be consulted.

In a lot of cases the settings are not critical, and may even be changed to suit personal preference, if any audible differences are apparent.

No damage will occur to an "incorrectly" loaded cartridge; at very worst a slightly impaired or nonoptimal frequency response and/or slightly increased distortion, both most likely to be inaudible, may result.

Feel free to experiment with different gain settings on your own to match your turntable's volume to other sources, if that is important to you. Or trust your own ear in finding out which gain and load setting make your particular cartridge sound best. Feel free to change the gain (or load) depending on which vinyl record you listen to. Some sound better with more, some sound better with less.

# NU - VISTA VINYL 2

## **System settings**

**Theme:** using the menu screens under **System Settings -> Theme** you can set the display to dark or light mode.

**Brightness:** using the menu screens under **System Settings -> Brightness** you can set the display brightness level. Setting the brightness to the lowest level turns the display off. When the unit is controlled, the display is briefly turned on and switches back off after 3 seconds of inactivity.

**Factory Reset:** using the menu screens under **System Settings -> Factory reset** you can perform a factory reset. This resets all settings (audio, cartridge and system settings) to factory default values.

**About:** using the menu screens under **System Settings -> About** you can view legal and firmware information.

## Troubleshooting

Problem	Probable Cause	Remedy
No power.	Power plug is not inserted into socket correctly.	Plug in securely into unit's IEC socket.
No sound.	Wrong connections between input sources and the unit  Cartridge incorrectly wired.	Check audio input and output lead connections.  Check cartridge wiring.
Sound too quiet/loud.	Wrong MM/MC cartridge selection.	Use MM setting for MM cartridges. Use MC setting for MC cartridges.
Sound is not precise, lacking in bass and stereo image.	Cartridge incorrectly wired.  Input connector plugs not fully pushed in. Output connector plugs not fully pushed in.	Check turntable tracking weight and cartridge setup. Check plugs are inserted fully and securely.
Hum.	Turntable not earthed or needs earthing.  Turntable already earthed and earthing further creates hum loop in system.  Earth loops already in system being amplified.  Audio connector plug not fully pushed in Cable fault.  Unsuitable Cable (e.g. cable grounds not connected).	Check turntable earthing lead is connected to earthing post.  Disconnect earthing lead from earthing post.  Investigate for earth loops elsewhere in system.  Insert plug securely and check cable is connected at both ends.  N.B. some esoteric cables have internal wiring intentionally disconnected/ modified. For best results on all inputs AND outputs, please use good quality screened coax; fully connected signal-to signal, screen-to-screen.
Pop or click heard in speakers when switching on or off or changing options.	High gain of Nu-Vista Vinyl 2, amplifying normal circuit transients.	Not a fault. It is recommended that the volume level on amplifier is turned down if switching the Nu-Vista Vinyl 2 on or off; or pressing option switches whilst connected.
Distorted sound.	Cartridge and/or tone arm not aligned properly.  Cartridge fault or worn needle. Dirt on record.	Carefully follow turntable instructions to correctly re-align tone arm and cartridge.  Replace needle or cartridge.  Clean dust and dirt from record.
Distorted and loud sound.	Line outputs of Nu-Vista Vinyl 2 plugged into PHONO amplifier inputs of following amplifier.	Use LINE level inputs only, e.g. an AUX input.

If none of these actions affect a cure, please contact the dealer, or an authorised Musical Fidelity service agent.

Remember; never open the case of the Nu-Vista Vinyl 2, as this will invalidate the warranty.

## MM

Gain at XLR outputs	selectable 40dB, 43dB, 46dB, 49dB
Frequency response	+0.2dB, -0.2dB
Input sensitivity	5mV IN for 500mV OUT (at 40dB, 1kHz)
Input impedance	47kohm
Input capacitance	50-400pF selectable
THD at 1kHz	<0.005%
Overload Margin	32dB
Signal to noise ratio	>110dB "A"-wt. at 40dB

## MC

Gain at XLR outputs	selectable 60dB, 63dB, 66dB, 69dB
Frequency response	+0.2dB, -0.25dB
Input sensitivity	500uV IN for 500mV OUT (at 60dB, 1kHz)
Input impedance	5 ohm to 47kohm selectable
Input capacitance	400pF fixed
THD at 1kHz	<0.008%
Overload Margin	32dB
Signal to noise ratio	>98dB "A"-wt. at 60dB

Equalization curves RIAA, Columbia, DECCA

## Subsonic filters

Mild	IEC
Standard	at 20Hz with 18dB/octave

## Connections

Line level inputs	2 x phono single ended RCA connectors 2 x phono balanced XLR connectors
Line level outputs	1 x line level single ended RCA connectors; 500mV nom, 10V max 1 x line level balanced XLR connectors; 1V nom, 20V max

## Power requirement

Mains voltages	115/230VAC 50/60Hz (factory pre-set) 100VAC 50/60Hz (alternative)
Consumption	<0.5W in standby mode (orange LED ON) 40W maximum

## Weight

Unit only, unboxed	22 kg
In shipping box	30 kg

## Maximum Dimensions

Nu-Vista Vinyl 2 (WxHxD) 483 x 187,5 x 491 (506 with connectors) mm

## Standard accessories

1x IEC type mains lead	10-Amp type
Remote control	Nu-Vista Vinyl 2 remote
Batteries	LR03 or AAA, manganese alkaline type 2 off
4x Spike Foot	
4x Spike Foot Cup	
4x Spike Foot Screw	
4x Felt pad for Spike Foot Cup	
4x Felt pad for Standard Foot	

Musical Fidelity reserves the right to make improvements which may result in specification or feature changes without notice.



## RELEASE

Nu-Vista Vinyl 2

## DATE

3<sup>rd</sup> October 2023

## CHANGES

1<sup>st</sup> issue



### DISPOSAL

The crossed out wheeled bin label that appears on the back panel of the product indicates that the product must not be disposed of as normal household waste. To prevent possible harm to the environment please separate the product from other waste to ensure that it can be recycled in an environmentally safe manner. Please contact local government office or retailer for available collection facilities.



### DISPOSITION

La poubelle sur roulettes barrées X, qui apparaît en logo sur le panneau arrière du produit, indique que celui-ci ne doit pas être traité comme un déchet domestique commun. Afin de protéger l'environnement, ce produit électronique devra être géré séparément et donc recyclé selon les nouvelles normes Européennes Rohs concernant les déchets d'appareils électroniques. Prière de contacter les services concernés gouvernementaux ou votre point de vente pour l'élimination et l'enlèvement de déchets électroniques équipés de composants électroniques.



### DISPOSAL

La etiqueta cruzada hacia fuera del compartimiento que aparece en el panel trasero del producto indica que el producto no se debe reciclar como basura normal de la casa. Para prevenir daños posible al ambiente separe por favor el producto de otra basura para asegurarse de que puede ser reciclada de una manera ambientalmente segura. Entre en contacto por favor a su oficina gubernamental local o a su minorista para las instalaciones disponibles de la colección.



### RIFIUTI

L'etichetta del cassonetto barrato riportato sul retro dell'apparecchio indica che il prodotto non deve essere smaltito tramite la procedura normale di smaltimento dei rifiuti domestici. Per evitare eventuali danni all'ambiente, separare questo prodotto da altri rifiuti domestici in modo che possa venire riciclato in base alle procedure di rispetto ambientale. Per maggiori dettagli sulle aree di raccolta disponibili, contattate l'ufficio governativo locale od il rivenditore del prodotto.



### FACHGERECHTE ENTSORGUNG:

Das auf der Geräterückseite angebrachte Label deutet darauf hin, dass das Produkt nicht mit konventionellem Hauskehricht entsorgt werden darf. Um Schäden und Verschmutzungen an Umwelt und Mensch zu vermeiden, muss das Produkt fachgerecht entsorgt und von anderem Abfall getrennt werden. Wenden Sie sich bei Fragen hierzu an Ihren Fachhändler oder an eine öffentliche Informationsstelle.



### AFVAL

Het label op de achterzijde van dit apparaat, een afvalbak op wielen met een kruis doorgehaald, geeft aan dat dit apparaat niet samen met gewoon huishoudafval mag worden weggegooid. Om mogelijke schade aan onze leefomgeving te voorkomen dient dit apparaat, gescheiden van gewoon huishoudelijk afval, te worden afgevoerd zodat het op een milieuvriendelijke manier kan worden gerecycled. Neem voor beschikbare inzamelplaatsen contact op met uw gemeentelijke reinigingsdienst of met uw elektronica leverancier.



### HÄVITTÄMINEN

Yliruksattua jäteastiaa kuvaava tarra tuotteen takalevyssä kertoo, että tuotetta ei saa käsitellä normaalina talousjätteenä. Ympäristön suojelemiseksi on tuote pidettävä erillään muusta jätteestä ja se on kierrätettävä ekologisesti kestävällä tavalla. Ota yhteyttä laitteen myyjään tai Pirkanmaan Ympäristökeskukseen lähimmän kierrätyskeskuksen löytämiseksi.



### AFSKAFNING

Logoet med en skraldespand med kryds over på bagsiden af apparatet indikerer at dette produkt ikke må kasseres som normal husholdningsaffald. For at forebygge mulig skade på miljøet, bedes De separere dette produkt fra andet affald, og sikre at det bliver genbrugt på en miljørigtig måde. Kontakt venligst de lokale myndigheder eller din forhandler for oplysning om nærmeste tilgængelige opsamlingssted for elektronikaffald.



### ΔΙΑΔΙΚΑΣΙΑ ΑΠΟΡΡΙΨΗΣ

ΤΟ ΣΗΜΑ ΜΕ ΤΟΝ ΔΙΑΓΕΓΡΑΜΜΕΝΟ ΤΡΟΧΗΛΑΤΟ ΚΑΔΟ ΑΠΟΡΡΙΜΑΤΩΝ ΣΤΗΝ ΠΙΣΩ ΟΨΗ ΤΟΥ ΜΗΧΑΝΗΜΑΤΟΣ

ΔΗΛΩΝΕΙ ΟΤΙ ΤΟ ΠΡΟΙΟΝ ΑΥΤΟ ΔΕΝ ΠΡΕΠΕΙ ΝΑ ΔΙΑΧΕΙΡΙΣΘΕΙ ΣΑΝ ΣΥΝΗΘΙΣΜΕΝΟ ΟΙΚΙΑΚΟ ΑΠΟΒΛΗΤΟ.

ΠΡΟΣ ΑΠΟΦΥΓΗ ΕΝΔΕΧΟΜΕΝΗΣ ΕΠΙΒΑΡΥΝΣΗΣ ΤΟΥ ΠΕΡΙΒΑΛΛΟΝΤΟΣ, ΞΕΧΩΡΙΣΤΕ ΤΟ ΠΡΟΙΟΝ ΑΠΟ ΤΑ ΑΛΛΑ ΑΠΟΡΡΙΜΑΤΑ ΩΣΤΕ ΝΑ ΕΞΑΣΦΑΛΙΣΘΕΙ Η ΑΝΑΚΥΚΛΩΣΗ ΤΟΥ ΜΕ ΤΟΝ ΠΡΕΠΟΝΤΑ ΤΡΟΠΟ.

ΠΑΡΑΚΑΛΟΥΜΕ ΝΑ ΕΠΙΚΟΙΝΩΝΗΣΕΤΕ ΜΕ ΤΗΝ ΤΟΠΙΚΗ ΥΠΗΡΕΣΙΑ ΑΝΑΚΥΚΛΩΣΗΣ Η ΜΕ ΤΟ ΚΑΤΑΣΤΗΜΑ ΑΓΟΡΑΣ ΓΙΑ ΠΕΡΙΣΣΟΤΕΡΕΣ ΛΕΠΤΟΜΕΡΕΙΕΣ.



---

## MUSICAL FIDELITY

---

### **Musical Fidelity**

a Division of Audio Tuning  
Vertriebs GmbH  
Margaretenstraße 98,  
A-1050, Vienna, Austria

[www.musicalfidelity.com](http://www.musicalfidelity.com)

Specifications and details  
are correct as we go to  
press, but in the interests of  
product improvement they  
may be subject to change  
during manufacture.