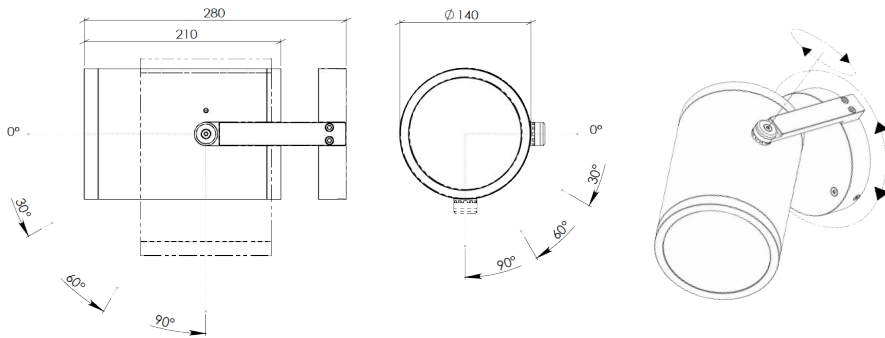




Dimensions:
210h x 140Ø mm
(8.27h x 5.51Ø inches)

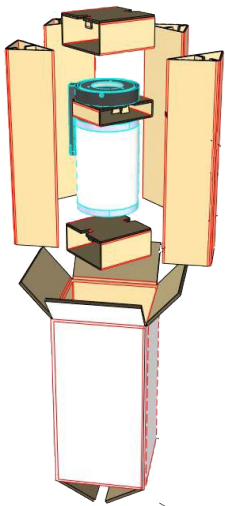
Weight:
4.1kg
(9.04 pounds)



Version	Crossover on board
Speaker Type:	4" Coaxial (Dual concentric) & Rear Passive Reflex System
Nominal Impedence:	8Ω
Crossover:	HP=40 Hz; 12 dB/oct Crossover: 2 kHz; 12 dB/oct
Frequency Range:	80-20.000Hz (-6dB)
Sensitivity (1W - 1m)	86 dB
Speaker Peak Power	200W
Speaker RMS Power	50W
Lighting Mood	N/A
High-z on Board	Optional (Voltage 70-100V Power 10W)
Body Materials	White Carrara and Black Marquina marbles; Black or Natural Aluminum
Metal Components Materials	Anodized black Aluminum; COVERS also in Polished Stainless Steel 316L or Oxidized Brass

Unpacking

in order to remove Daedalus from its shipping box, follow these steps:



1. Daedalus is shipped in a box secured by no.4 side cardboard inserts that hold it in place
2. Remove the upper cardboard insert (lid) so to release Daedalus
3. While gently holding the plate, pull the whole Daedalus out of the box
4. Remove the cardboard insert between flange and main body

Daedalus is now ready for set up and installation

Installation: Daedalus can only be installed indoors or in sheltered, weatherproof locations.

Two people are needed to install Daedalus, especially in the cable connection phase. Before proceeding, please recover anchors (wall plugs) suitable for your hanging surface, for the anchor is different according to the wall material (concrete, plasterboard, wood...)



First align the hole in the plate that is close to the side groove, so that it is fixed to the wall in a central position at the top of the plate



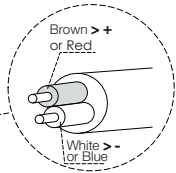
Make the central large hole of the plate match with the hole in the wall where the audio cables come out.

Now the plate can be fixed to the wall by tightening the screws into the expansion wall plugs.

Before hooking the back plate to the flange, please direct Daedalus in a vertical position at 90° (i.e. in an orthogonal position with respect to its supporting arm)



While a person holds Daedalus, the second person can proceed with connecting it to the cable coming out from the wall, always bearing in mind the colors of the polarities:

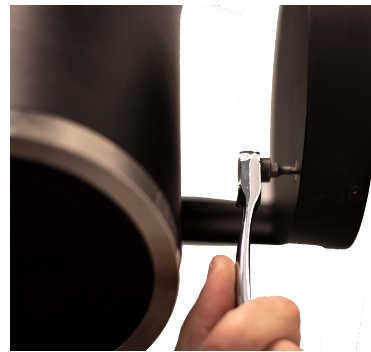


These cable then will be housed in the space provided behind the metal flange, so that the connection remains hidden towards the wall.

Horizontal angle orientation (plate/flange): before adjusting Daedalus horizontally, secure it, by proceeding as follows:



Make the two side countersunk screws that come out of the flange (supplied by AS) match with the groove of the wall plate, then rotate the flange a few degrees, until the holes in the plate match the holes in the flange (up to the desired gradation)

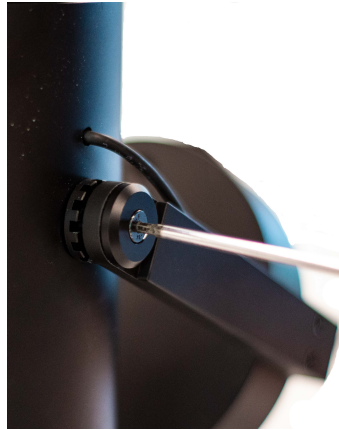


Take the two front screws on the flange as a reference and rotate them until they match the holes in the plate.

The variation goes from 0 to 360°, with shots of 30° each. Each gradation corresponds to a different (horizontal) orientation of Deadalus.

Once the gradation has been chosen, it is possible to fix the flange to the back plate.

Vertical angle orientation (Deadalus body)



Loosen (without unscrewing) the screw placed on the supporting arm of Daedalus by using a #3 Allen Key, then rotate the body according to the desired orientation.

As for the flange, this ring on the Daedalus body too rotates in shots of 30 degrees each, up to 90 degrees of rotation.

Maintenance and care:

to keep your speakers beautiful as long as possible, we warmly recommend doing maintenance at least once a year. When not in use, sound modules should be appropriately covered or stored away; heavy duty protective covers are available from AS. Please refer to the General Manual for appropriate instructions and note that any departure from our recommendations on care and cleaning, or any evidence of misuse or damages from ordinary wear and tear, will void all warranty claims.

