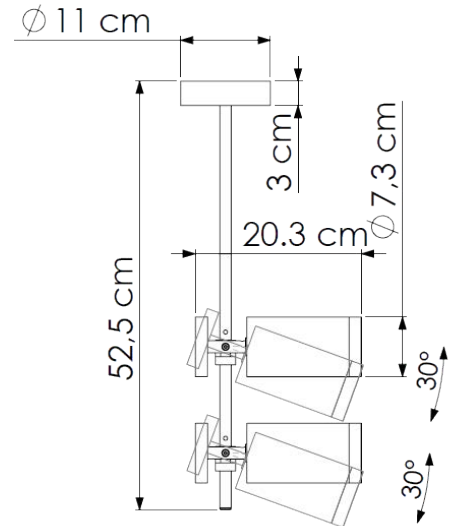


ICARUS_MULTICEILING

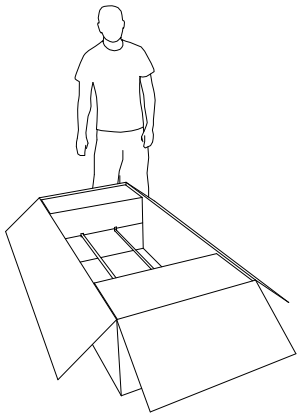
ARCHI-TETTURA SONORA



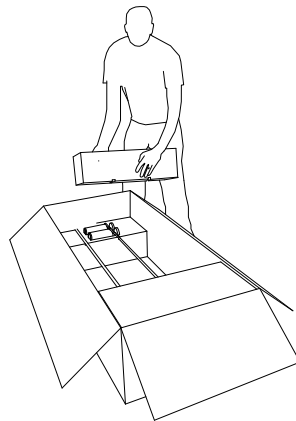
Version	Passive without crossover
Speaker Type:	2 x 2" Wide Band
Nominal Impedence:	4Ω
Crossover:	recommended DSP settings: HP=200 Hz; 12 dB/oct
Frequency Range:	220-20,000Hz (-6dB) (recommended DSP setting)
Sensitivity (1W - 1m)	83 dB
Speaker Peak Power	60W
Speaker RMS Power	50W
Lighting Mood	N/A
High-z on Board	Optional (Voltage 70-100 V Power 10 W)



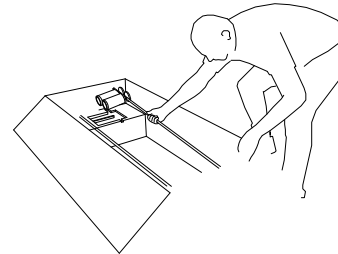
Unpacking: to remove Icarus_Multiceiling from the shipping box carefully follow these steps:



1. Icarus_Multiceiling is shipped in a box secured with packing foam.



2. Remove the upper part of the packing foam protecting the model inside the box, in order to release them.

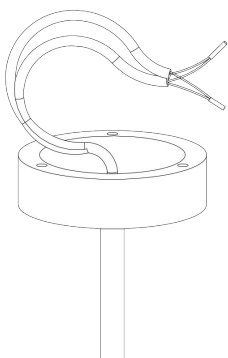


3. Firmly hold the metal pole and gently pull the Icarus_Multiceiling out of the box.

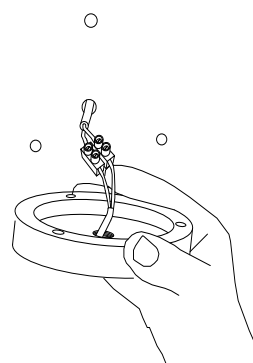


4. Turn the item and place into position, now ready for set-up and installation.

Installation



Gently remove the item from the package and proceed by screwing (clockwise) the black plate onto the tube (from the smooth side of the plate) into the relative thread. Screw all the way down (without forcing too hard) after passing the acoustic cable through the center hole in the plate. We recommend using a threadlocker (not supplied).



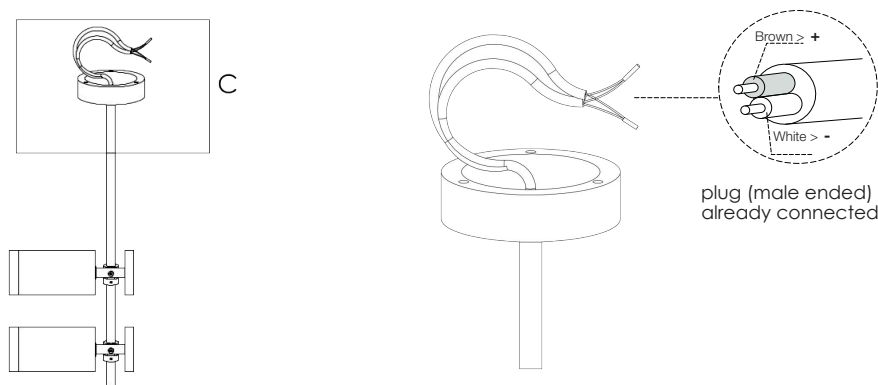
Once screwed in (and by getting help from another person), mark the 3 ceiling mounting holes, making sure that the leads of the two satellites remain in the back side of where you intend to radiate sound.

Lay the MC aside and proceed with drilling the ceiling and with inserting the related black screw (supplied) into the suitable Fisher wall plugs (not supplied).

Cabling:

Having another person hold the MC, make the acoustic connections following the polarity directions

- connect the positive wire (brown > +) with the positive wire coming from the amplifier.
- connect the negative wire (white > -) with the negative coming from the amplifier.

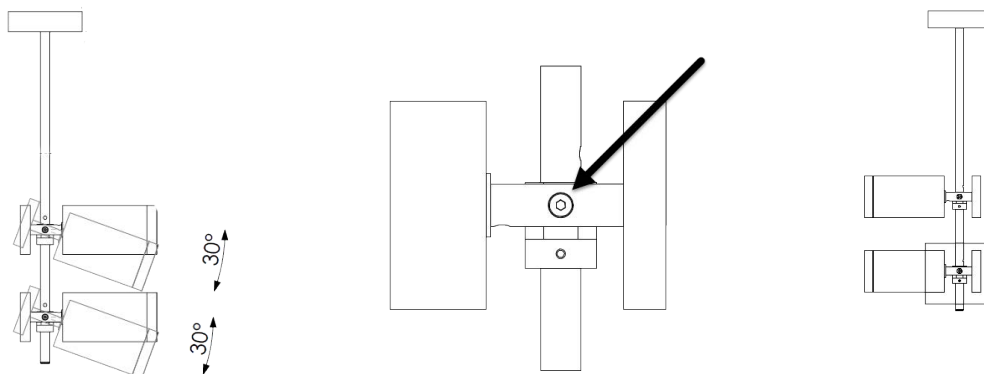


After inserting the cables into the space inside the plate, screw the model to ceiling by using the three screws provided, checking that it is securely and stably fastened.

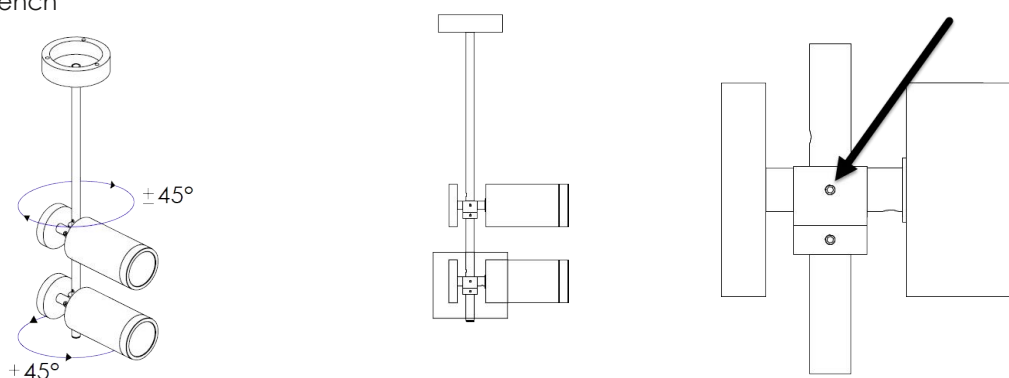
Always make sure that the leads of the two satellites remain in the back side of where you intend to radiate sound.

Satellite Adjustment:

Adjust the grade of each satellite by regulating the screw located on the satellite tube with a 4mm Allen wrench



After that, adjust the side angle (left and right) of each satellite by regulating the screw located on the tube ring with a 4mm Allen wrench



Make sure that both satellites and the two magnetic covers are securely and stably fastened.

Acoustic connectivity & settings: Icarus_Multceiling necessarily requires an amplifier equipped with DSP on board. For everything concerning the regulation of the DSP, please refer to the website www.architetturasonora.com or to your specialized dealer. Support of a Subwoofer is also highly recommended for a complete acoustic output.

Maintenance and care: to keep your speakers beautiful as long as possible, we warmly recommend doing maintenance at least once a year. When not in use, the AS sound models should be appropriately covered or stored away; heavy duty protective covers are available.

Please refer to the General Manual for appropriate instructions and note that any departure from our recommendations on care and cleaning, or any evidence of misuse or damages from ordinary wear and tear, will void all warranty claims.

