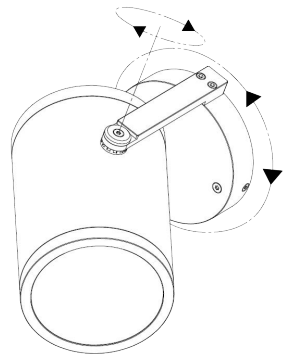
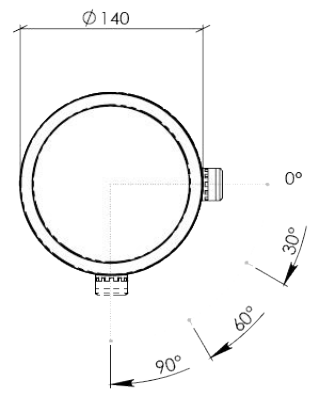
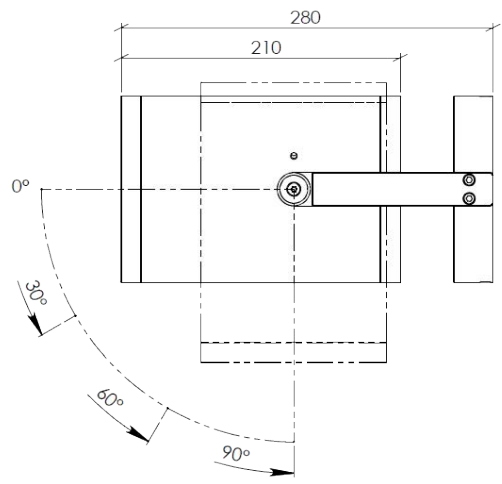


# DAEDALUS

Dimensions:  
210h x 140Ø mm  
(8.27h x 5.51Ø inches)

Weight:  
4.1kg  
(9.04 pounds)



Version	Crossover on board	
Speaker Type:	4" Coaxial (Dual concentric) & Rear Passive Reflex System	
Nominal Impedence:	8Ω	
Crossover:	HP=40 Hz; 12 dB/oct Crossover: 2 kHz; 12 dB/oct	
Frequency Range:	80-20.000Hz (-6dB)	
Sensitivity (1W - 1m)	86 dB	
Speaker Peak Power	200W	
Speaker RMS Power	50W	
Lighting Mood	N/A	
High-z on Board	Optional (Voltage 70-100 V Power 10 W)	
Body Materials	Concrete (gray, black, white, red, ocean blue); White Carrara and Black Marquina marbles; CarbonFiber-coated Aluminum	
Metal Components Materials	Anodized black Aluminum; Polished Stainless Steel 316L; Oxidized Brass	

TECHNICAL INFO