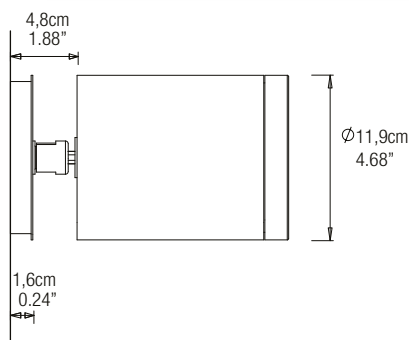
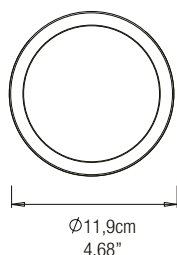
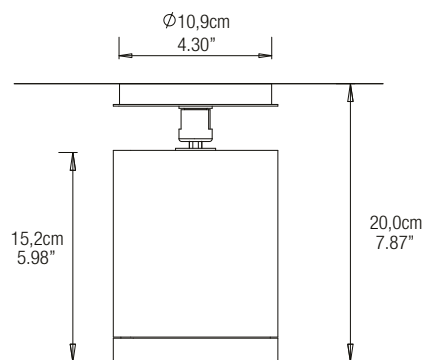


ICARUS_WALL



SOUND OUTPUT

Speaker type
3,5" Wide Band

Nominal impedance
8 Ω

Crossover
DSP needed

Frequency range
100-20.000 Hz (-6dB)

Sensitivity (1W-1m)
86 dB/W/m

Recommended amplifier power
50W (Class D)

SPECIFICATIONS

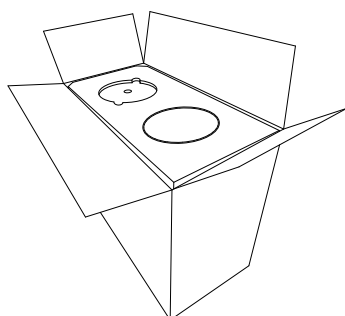
Material
concrete, marbles, travertine, alternative stones.

Metal material
stainless steel, oxidized brass, and painted steel

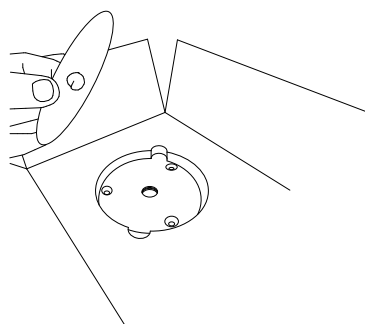
Dimensions
20 x 11,9 Ø cm
(7,87 x 4,68 inches)

Weight
3 kg (6,6 pounds)

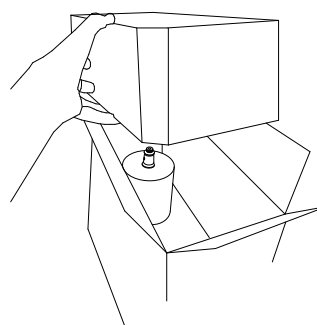
Unpacking: to remove Icarus_wall from the shipping box carefully follow these steps



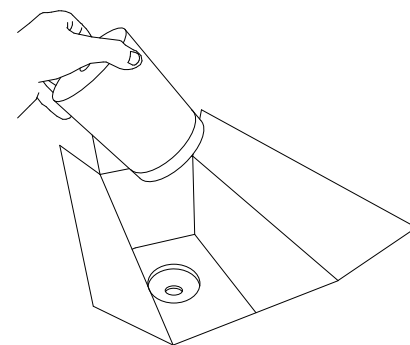
1. Icarus_wall is shipped in a box secured with packing foam; the box has been designed to contain up to two sound modules.



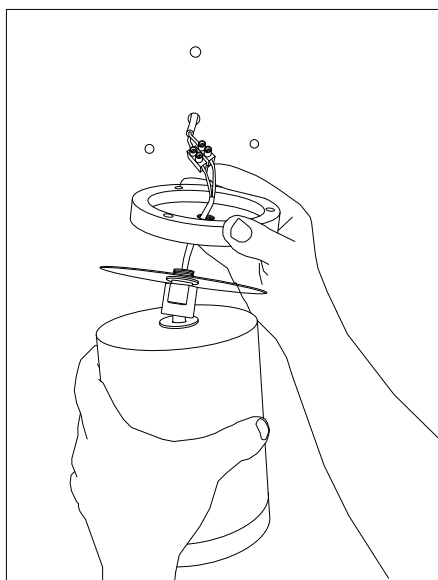
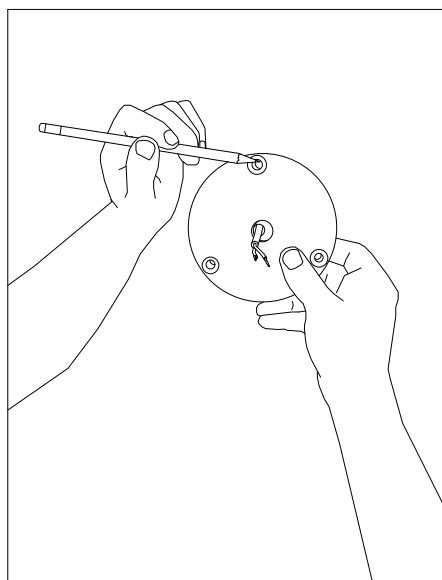
2. Remove the metal finishing disc and the metal plate with holes and set them aside.



3. Remove the upper part of the foam to release the sound module.



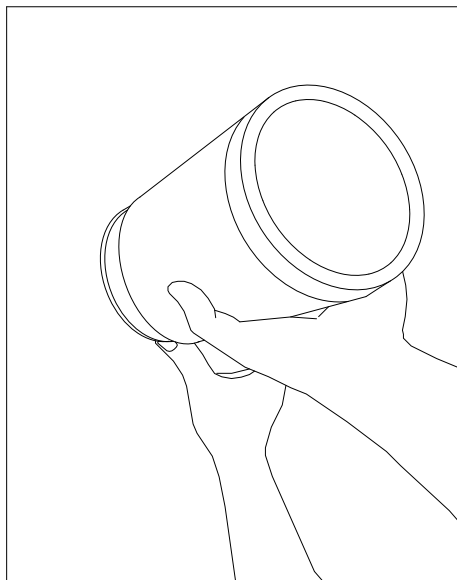
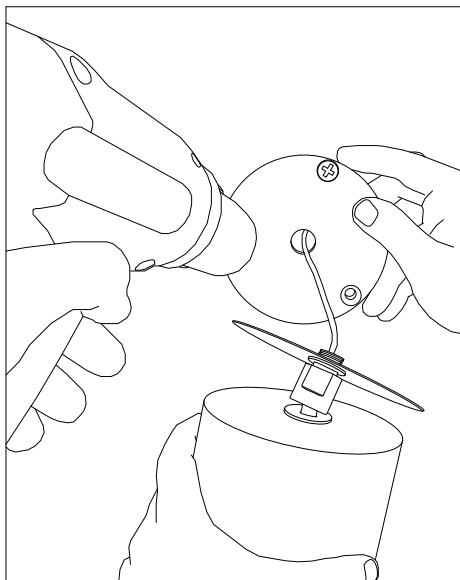
4. Holding gently the module pull it out of the box ready for set-up and installation.



Installation: the installation of the Icarus_wall requires two people, especially during the cable connection phase.

Align the central hole of the metal plate with the hole in the wall where the audio cable comes out and using the plate as a template mark the three holes with a pencil. Proceed to drill the holes and insert into them the expansion wall plugs you will need to secure the metal plate in the wall.

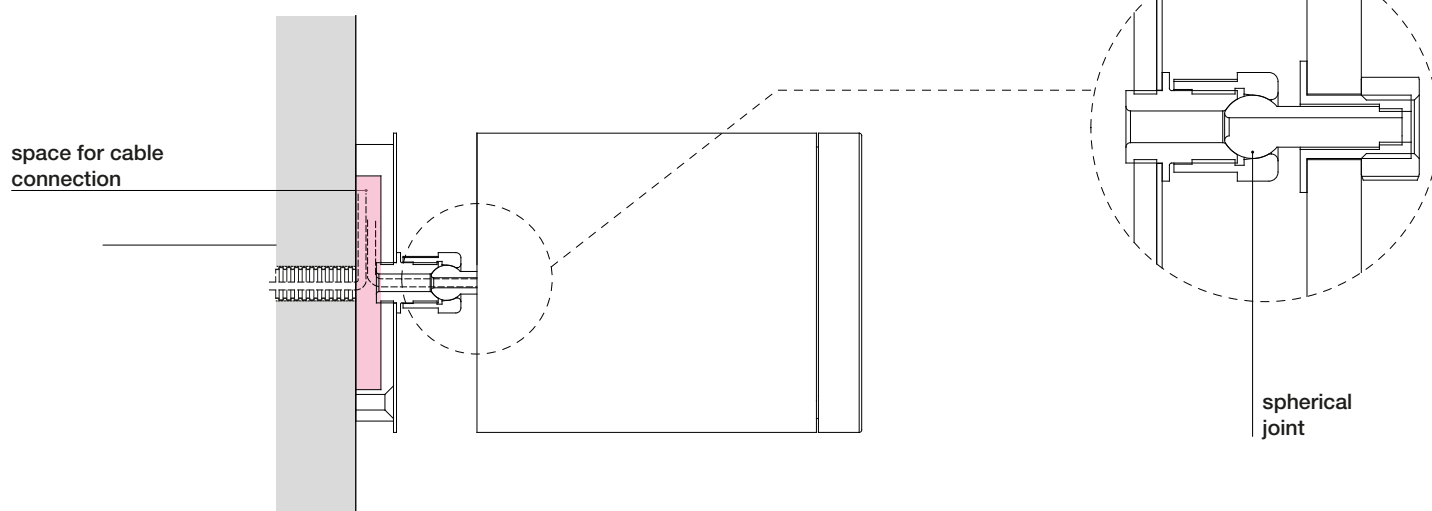
Connect the sound module cable to the cable coming out from the wall using a cable connector. The part of the cable with the connector will then be housed in the space provided behind the metal plate, so that the connection remains hidden towards the wall (see section next page).



Fix the plate to the wall by tightening the screws into the expansion wall plugs.

Now you can screw the sound module's threaded end of the metal joint to the metal plate on the wall; the finishing metal disc will cover the heads of the screw.

Position the sound module in the desired position by moving it around its spherical joint, after loosening the mechanics with a 20 mm wrench; tighten it back to hold desired position.



Acoustic connectivity & settings: the Icarus_wall necessarily **requires an amplifier equipped with DSP on board**. For everything concerning the regulation of the DSP, please refer to the website www.architetturasonora.com or to your specialized dealer.

Maintenance and care: to keep your speakers beautiful as long as possible, we warmly recommend doing maintenance at least once a year. When not in use, sound modules should be appropriately covered or stored away; heavy duty protective covers are available from AS. Please refer to the General Manual for appropriate instructions and note that any departure from our recommendations on care and cleaning, or any evidence of misuse or damages from ordinary wear and tear, will void all warranty claims.