

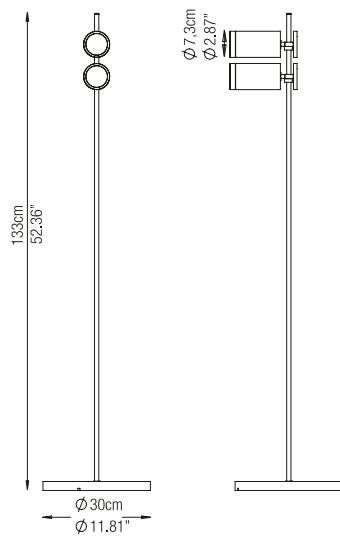
# ICARUS \_MULTISTAND

Giulia Archimede, 2019

> p. 042

**Dimensions:**  
133h x 30φ cm  
(52.36h x 11.81φ inches)

**Weight:**  
10kg  
(22 pounds)



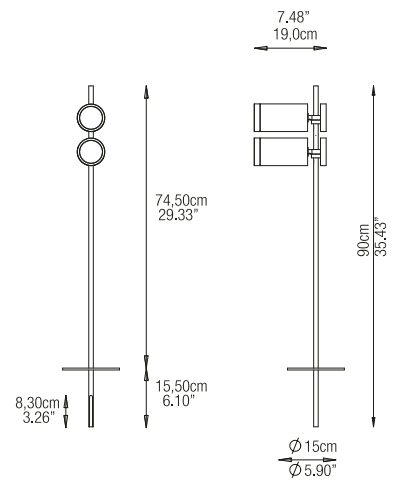
# ICARUS \_MULTIGROUND

Giulia Archimede, 2019

> p. 049

**Dimensions:**  
90h x 15φ cm  
(34.43h x 5.90φ inches)

**Weight:**  
9kg  
(19,8 pounds)



<b>Version</b>	Passive without crossover	Passive without crossover
<b>Speaker Type:</b>	2 x 2" Wide Band	2 x 2" Wide Band
<b>Nominal Impedence:</b>	4Ω	4Ω
<b>Crossover:</b>	recomended DSP settings: HP=200 Hz; 12 dB/oct	recomended DSP settings: HP=200 Hz; 12 dB/oct
<b>Frequency Range:</b>	220-20.000Hz (-6dB) (recommended DSP setting)	220-20.000Hz (-6dB) (recommended DSP setting)
<b>Sensitivity (1W - 1m)</b>	83 dB	83 dB
<b>Speaker Peak Power</b>	60W	60W
<b>Speaker RMS Power</b>	50W	50W
<b>Lighting Mood</b>	N/A	N/A
<b>High-z on Board</b>	Optional (Voltage 70-100 V Power 10 W)	Optional (Voltage 70-100 V Power 10 W)
<b>Body Materials</b>	Concrete (gray, black, white, red) Marble, travertine and alterntive stones	Concrete (gray, black, white, red) Marble, travertine and alterntive stones

TECHNICAL INFO

<b>Metal Components Materials</b>	Stainless steel 304 (polished, satin, painted matt black) Stainless steel 316L, Oxidized Brass	Stainless steel 304 (polished, satin, painted matt black) Stainless steel 316L, Oxidized Brass
-----------------------------------	--	--